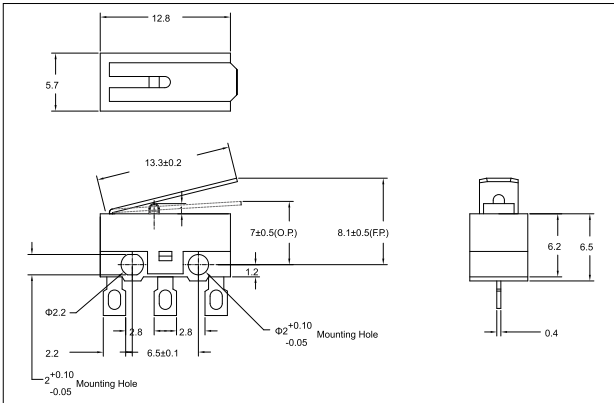
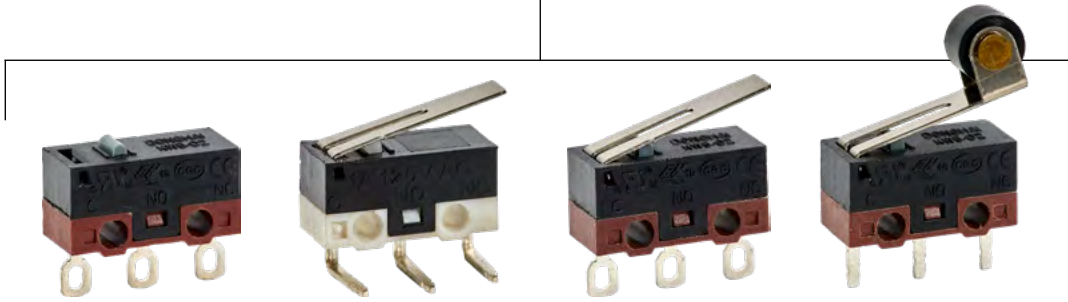


KW5-OZ-1111L



KW5-OZ

KW5-OZ		1	1	1	1	1	K		
Circuit code		Terminal Style		Operating Force at pin Plunger		Electrical Rating		Lever Type	
1	SPDT	1	Short PCB terminals	1	100± 40gf	1	3A 125/250VAC 40T85 1E4 3(0.5)A 125/250VAC 40T85 1E4 3A 30VDC 40T85 1E4	L	No lever
2	SPST- NO	2	Long PCB terminals	...	Other	2	1A 125/250VAC 40T85 1E4 0.5A 125/250VAC 40T85 1E4 1(0.5)A 125/250VAC 40T85 1E4 0.5(0.1)0.5(0.1)A 125/250VAC 40T85 1E4 1A 30VDC 40T85 1E4 0.5A 30VDC 40T85 1E4	L1	11.5mm straight lever
3	SPST- NC	3	Solder terminals			...	Other	L2	13.3mm straight lever
		4	Left side PCB terminals					L3	Roller lever
		5	Right side PCB terminals					L4	R lever
		...	Special connect					L5	Bend lever
								...	Other