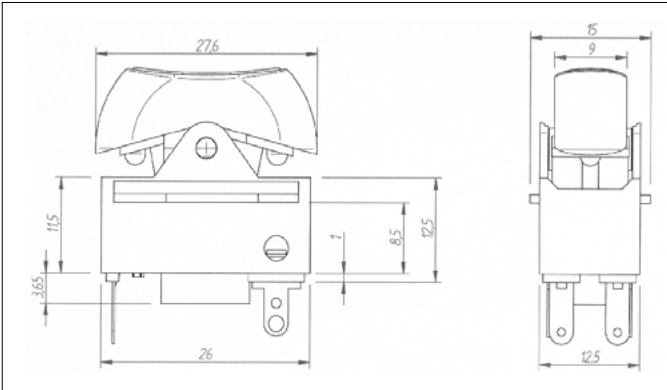




MB-0700-10-275-RE/BR-P16-0



13A 125V/8A 250V T85

250VAC 16(3) T85/55 1E4
10(2) T85/55 5E4



MB-0700

MB-0700 10 0 RE/BR P16 S

Function		Cap Printing		Cap colour / Housing		Terminals	Support
10	OF - ON - ON	0	None	WT	White		
		371	● 1 2	BK	Black		
		372	0 1 2	RE	Red		
		168	○ I II	OR	Orange		
		K	Without actuator	BL	Blue		
		X	Custom	BR	Brown		

Electrical diagram

