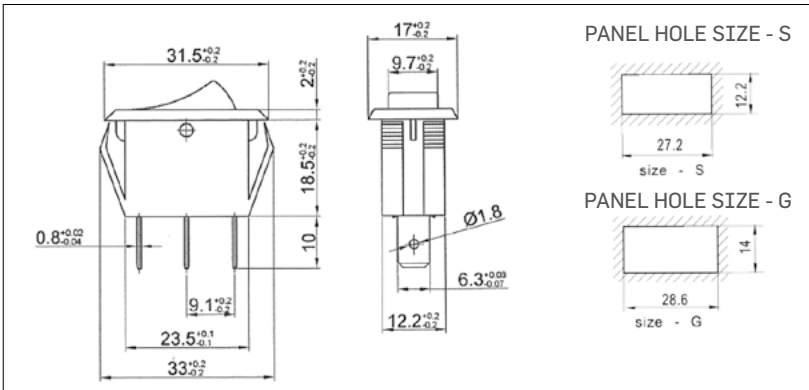




RL-15-11/N-C-2-RE/BK-P1-S-2



16 (4)A 250VAC T125/55 1E4  
15A 125V

(H) Rating: 20A 125V 3/4HP T105



# RL-15

RL-15	11/N	C	2	BK/BK	P1	S	(2)
Function	Cap type	Cap Printing	Cap colour / Housing	Terminals	Panel hole size	Voltage	
11	ON - OFF 2T	A Flat	0 None	WT White			1 110VAC
11/N	ON - OFF 3T w/lamp	C Soft line	1	BK Black			2 220VAC
11 (ON)	(ON) - OFF 2T		2	RE Red	3 12VDC		
11 (OFF)	ON - (OFF) 2T		3	OR Orange	4 24VDC		
12	ON - ON 3T		4	GR Green			
12 (ON)	(ON) - ON 3T		5	BL Blue			
13	ON - OFF - ON 3T		6	GE Grey			
13 (ON)	(ON) - OFF - ON 3T		7				
13 (2xON)	(ON) - OFF - (ON) 3T		8				
			X Custom				

NEW