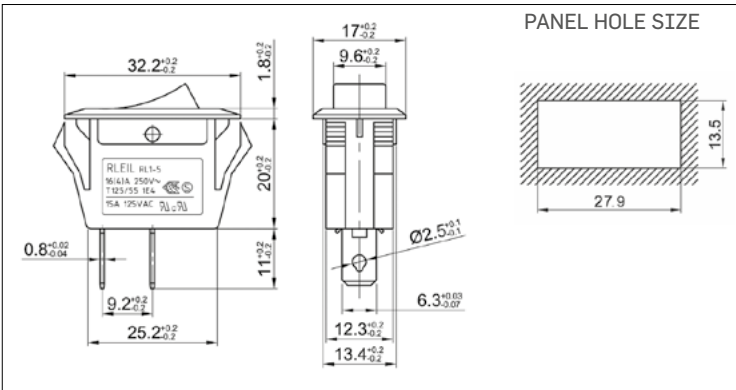




RL-15W-11/N-C-1-OR/BK-P3-2



16 (4)A 250VAC T125/55 1E4  
15A 125V



# RL-15W

**RL-15W** 11/N C 2 RE/BK P3 ... (2)

Function		Cap type		Cap Printing		Cap colour / Housing		Terminals	Voltage	
11	ON - OFF 2T	B	Angle	0	None	WT	White		1	110VAC
11/N	ON - OFF 3T w/lamp	C	Soft line	1		BK	Black		2	220VAC
12	ON - ON 3T			2		RE	Red		3	12VDC
				3		OR	Orange		4	24VDC
4				4		GR	Green			
5				5		BL	Blue			
8				8		GE	Grey			
9				9						
X	Custom			X	Custom					