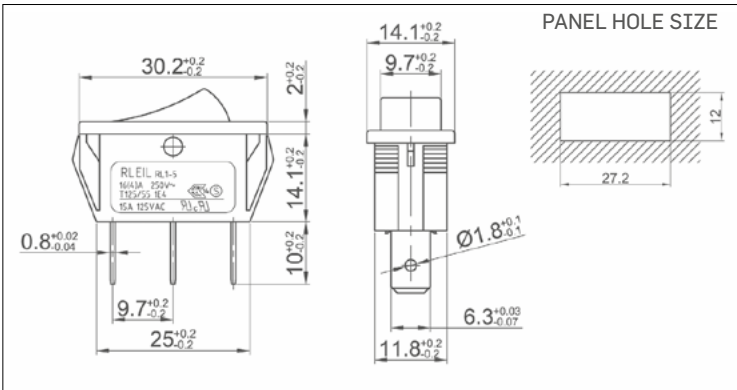




RL-15Y-11-B-2-BK/BK-P2



16 (4)A 250VAC T125/55 1E4  
15A 125V



# RL-15Y

**RL-15Y**    **11**    **B**    **2**    **BK/BK**    **P1**

Function		Cap type		Cap Printing		Cap colour / Housing		Terminals
----------	--	----------	--	--------------	--	----------------------	--	-----------

11	ON - OFF 2T	B	Angle
12	ON - ON 3T	C	Soft line
13	ON - OFF - ON 3T		

B	Angle
C	Soft line

0	None
1	
2	
3	
4	
5	
X	Custom

WT	White
BK	Black
RE	Red
OR	Orange
GR	Green
BL	Blue
GE	Grey

