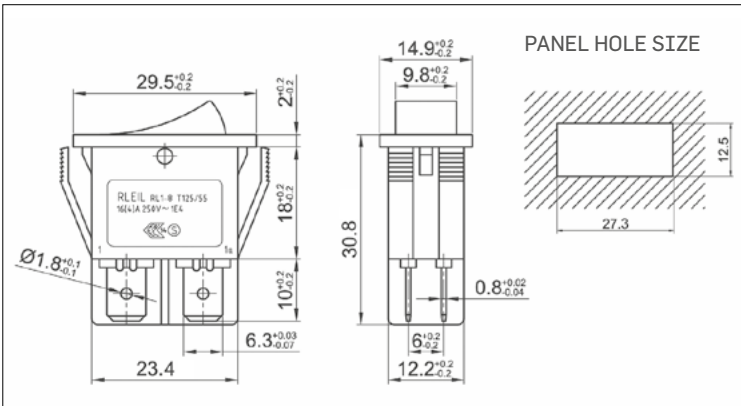




RL-18W-21/N-D(GR)-C-129-BK/BK-P1



16 (4)A 250VAC T125/55 1E4
16A 125VAC ½ HP T105



RL-18W

RL-18W 11 C 2 WT/BK P1

Function		Cap type		Cap Printing		Cap colour / Housing		Terminals
11	ON - OFF 2T	C	Soft line	0	None	WT	White	<p>(P1)</p>
21	ON - OFF 4T			1		BK	Black	
21/N-D	ON- OFF 4T w/lamp			2		GE	Grey	
				3				<p>(P21)</p>
				4				
				5				<p>(P21-F)</p>
				8				
				X	Custom			