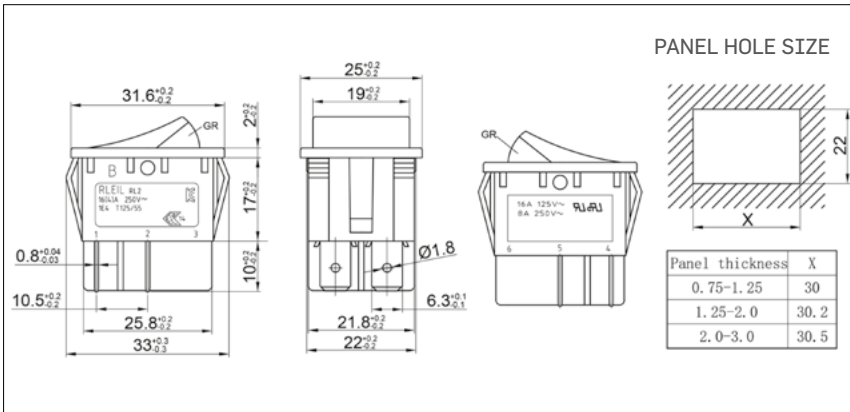




RL-23 BC-21-C-0-BK-RE/BK-P1



16 (4)A 250VAC T125/55 1E4  
16A 125V/8A 250VAC

(H) Rating: 16(8)A 250VAC T85/55 1E4



# RL-23 BC

**RL-23 BC**    11    C    2    BK/BK    P1

Function		Cap type		Cap Printing		Cap colour / Housing		Terminals
11	ON - OFF 2T	C	Soft line	0	None	WT	White	
12	ON - ON 3T	P	W/PVC-Cap.	1		BK	Black	
21	ON - OFF 4T			2		RE	Red	
21(ON)	(ON) - OFF 4T			3		OR	Orange	
21(OFF)	ON - (OFF) 4T			4		GR	Green	
22	ON - ON 6T			5		BL	Blue	
				8		GE	Grey	
				X	Custom			

