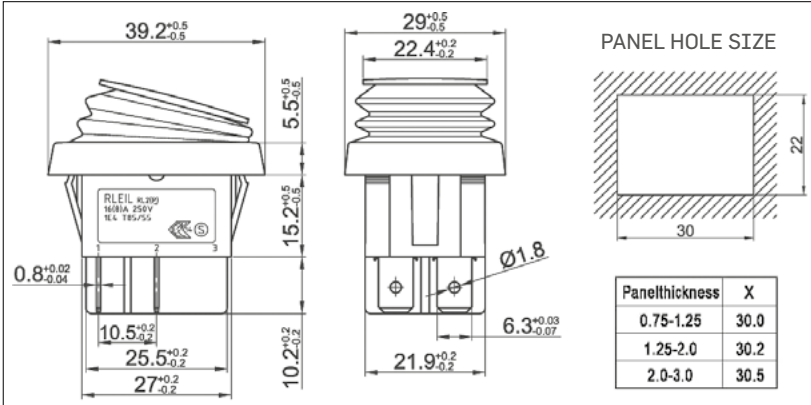




RL-2P-21/N-C-2-RE/BK-P1-2



MOQ: 5K



16 (8)A 250VAC T85/55 1E4
16A 125VAC
10A 250VAC
3/4 HP 125/250VAC T80

RL-2P

RL-2P	21/N	C	2	BK/BK	P1	(2)	
Function	Cap type	Cap Printing	Cap colour / Housing	Terminals	Voltage		
21	ON - OFF 4T	C	0	WT		1	
21/N	ON - OFF - 4T w/lamp		1	BK		2	
21(ON)	(ON) - OFF 4T		2	RE		3	
22	ON - ON 6T		3	OR		4	
22/N	ON-ON 6T		4	GR			
22(ON)	(ON)-ON 6T		5	BL			
23	ON - OFF - ON 6T		X	GE			
23(ON)	(ON) - OFF - ON 6T						
23(2xON)	(ON) - OFF - (ON) 6T						

