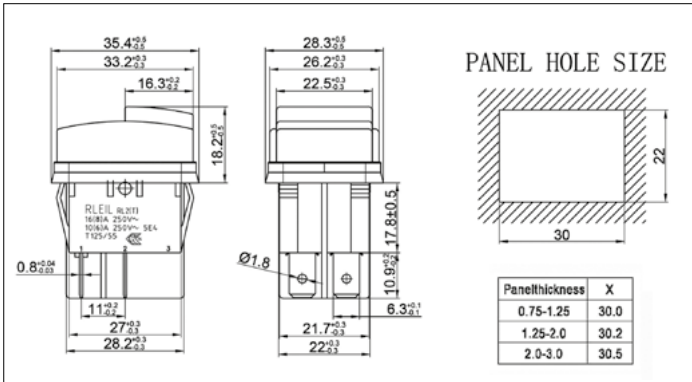




NEW

RL-2T2S-21-2-RE-GR/BK-P1



16A 125V

10 (6)A 250VAC T125/55 5E4
16 (8)A 250VAC T125/55 1E4



RL-2T2S

RL-2T2S 21 2 BK-BK/BK P1

Function		Cap Printing		Cap colour / Housing		Terminals
11	ON - OFF 2T	0	None	WT	White	
12	ON - ON 3T	1		BK	Black	
21	ON - OFF 4T	2		RE	Red	
22	ON - ON 6T	3		OR	Orange	
		4		GR	Green	
		5		BL	Blue	
		8		GE	Grey	
		X	Custom			