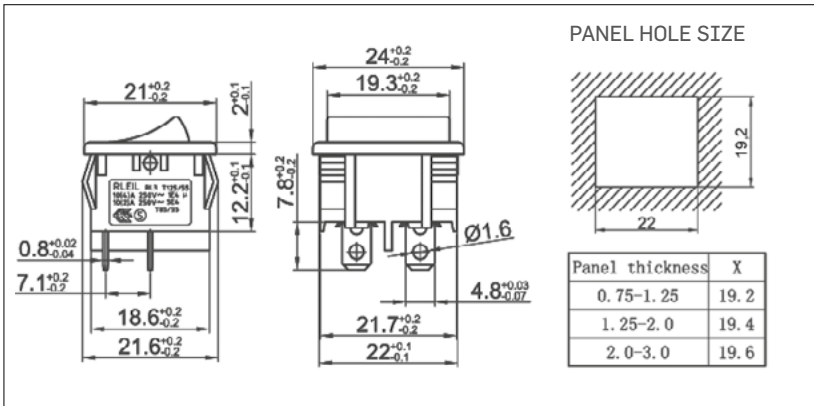




RL-32-21-G-2-BK/BK-P5



(G): 6 (2)A 250VAC T125/55 1E4
10A 125VAC
(H): 10 (4)A 250VAC T125/55 1E4
10 (2)A 250VAC T85/55 5E4
16A 125V/10A 250VAC 1/3HP
125-250VAC T105



RL-32

RL-32 21 G 2 BK/BK P5 0 2

Function		Rating	Cap Printing	Cap colour / Housing	Terminals	Nothing	Voltage
00	Indicator lamp 2T	G 10A 125 VAC 6A 250 VAC	0	None	WT White	0 Nothing P PVC/Cap.	1 110VAC
21	ON - OFF 4T		1		BK Black		2 220VAC
21/N	ON - OFF 4T w/lamp	H 16A 125 VAC 10A 250 VAC	2		RE Red		3 12VDC
21(ON)	(ON) - OFF 4T		3		BL Blue		4 24VDC
21(OFF)	ON - (OFF) 4T		4		GE Grey		
22	ON - ON 6T		5				
22/N	ON - ON 6T w/lamp		8				
22(ON)	(ON) - ON 6T		X	Custom			
23	ON - OFF-ON 6T						

NEW

