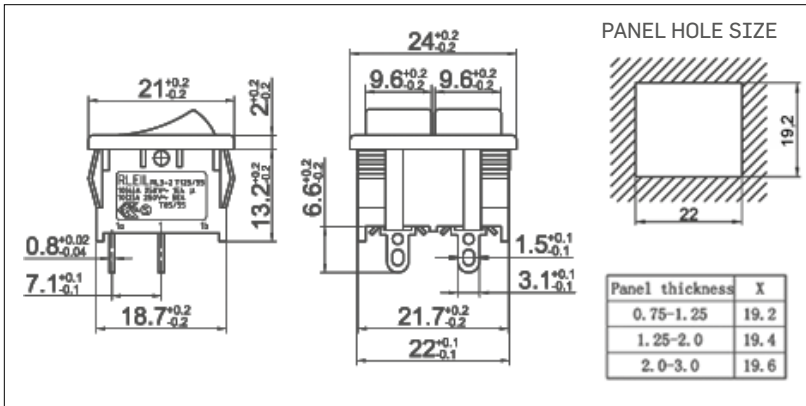




RL-32(D)-11(ON)/11-43/2-BL-RE/BK-P4



(G): 6 (2)A 250VAC T125/55 1E4  
10A 125VAC

(H): 10 (4)A 250VAC T125/55 1E4  
10 (2)A 250VAC T85/55 5E4  
16A 125VAC/10A 250VAC 1/3HP  
125-250VAC T105



# RL-32D

RL-32D		11/11	G	30	BK-BK/BK	P5	0	2
Function	Rating	Cap Printing	Cap colour / Housing	Terminals	Nothing	Voltage		
00/00	Indicator lamp 4T	30	WT White	(P4)	0 Nothing	1 110VAC		
11/00	ON-OFF / Ind. lamp 4T	31	BK Black	(P4)	P PVC/Cap.	2 220VAC		
11/11	ON - OFF / ON - OFF 4T	32	RE Red	(P5)		3 12VDC		
11(ON)/11	11(ON)/11 (ON)-OFF / ON-OFF 4T	33	OR Orange	(P5)		4 24VDC		
11(OFF)/11	ON-(OFF) / ON-OFF 4T	X Custom	GR Green	(P16)				
12/11	ON - ON/ ON - OFF 5T		BL Blue					
12/12	ON-ON / ON-ON 6T		GE Grey					
13/11	ON-OFF-ON / ON-OFF 5T							
13/12	ON-OFF-ON / ON-ON 6T							
13/13	ON-OFF-ON / ON-OFF-ON 6T							