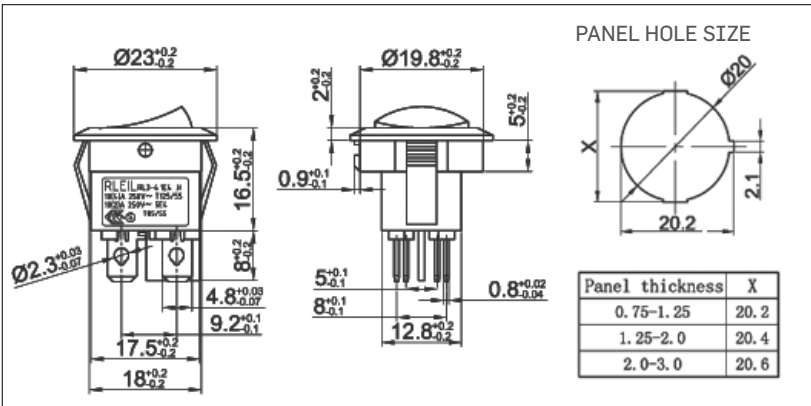




RL-34R-21-G-2-BK/BK-P8



(G): 6 (2)A 250VAC T125/55 1E4
10A 125VAC
(H): 10 (4)A 250VAC T125/55 1E4
10 (2)A 250VAC T85/55 5E4
16A 125V/10A 250VAC 1/3HP
125-250VAC T105



RL-34R

RL-34R 21 G 2 BK/BK P8 0 ... (2)

Function		Rating	Cap Printing	Cap colour / Housing		Terminals	Nothing	Voltage	
11	ON - OFF 2T	G 10A 125 VAC 6A 250 VAC	0	None	WT	White	0 Nothing P PVC/Cap.	1	110VAC
11/N	ON - OFF 3T w/lamp		1		BK	Black		2	220VAC
21	ON - OFF 4T	H 16A 125 VAC 10A 250 VAC	2		RE	Red	3 4	3	12VDC
21/N	ON - OFF - 4T w/lamp		3		OR	Orange		4	24VDC
21/N-D	ON - OFF - 4T w/round lens		4		GR	Green		 	
			5		BL	Blue			
			8		GE	Grey			
			X	Custom					