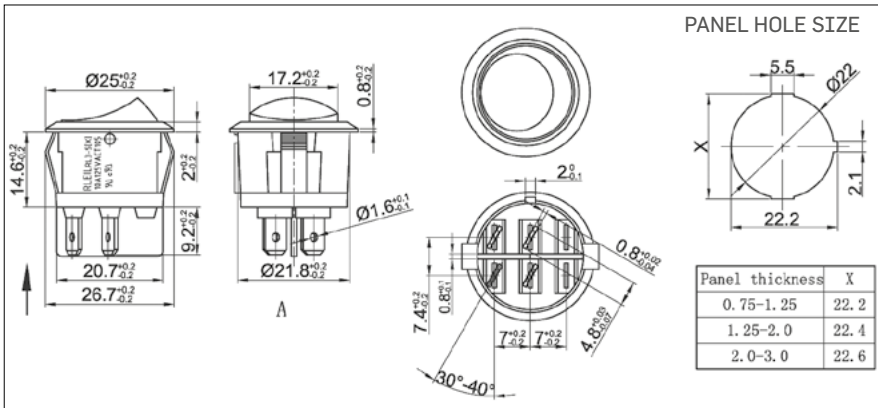




RL-35X-23-G-6-BK/BK-P4



(G): 6 (2)A 250VAC T125/55 1E4
10A 125VAC

(H): 12 (8)A 250VAC T125/55 1E4
15A 125V/10A 250VAC 1/3HP
125-250VAC T105



RL-35X

RL-35X 21 G 2 BK/BK P4 0 ... (2)

Function		Rating	Cap Printing	Cap colour / Housing	Terminals	Nothing	Voltage	
11	ON-OFF 2T	G 10A 125 VAC 6A 250 VAC	0	None	WT	White	1 110VAC	
12	ON-ON 3T		1		BK	Black		2 220VAC
13	ON-OFF-ON 3T	H 16A 125 VAC 10A 250 VAC	2		RE	Red	3 12VDC	
13(ON)	(ON)-OFF-ON 3T		3		OR	Orange		4 24VDC
21	ON - OFF 4T		4		GR	Green		
21/N	ON - OFF 4T w/lamp		5		BL	Blue		
22	ON - ON 6T	8	8		GE	Grey		
22/N	ON-ON 6T w/lamp		X	Custom				
23	ON - OFF - ON 6T							
23(ON)	(ON)-OFF-ON 6T							

