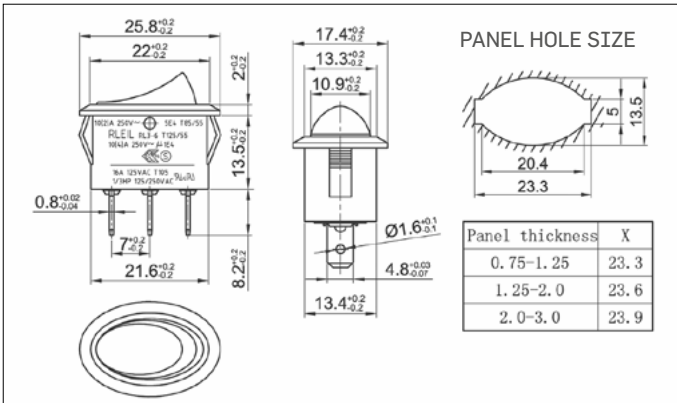




RL-36-11-G-0-BK/BK-P5



(G): 6 (2)A 250VAC T125/55 1E4
10A 125VAC
(H): 10 (4)A 250VAC T125/55 1E4
10 (2)A 250VAC T85/55 5E4
16A 125V/10A 250VAC 1/3HP
125-250VAC T105



RL-36

RL-36 11/N G 2 BK/BK P6 ... (2)

Function		Rating	Cap Printing	Cap colour / Housing		Terminals	Voltage			
11	ON - OFF 2T	G 10A 125 VAC 6A 250 VAC	0	None	WT	White	(P4)	1	110VAC	
11/N	ON - OFF w/lamp 3T		1		BK	Black		2	220VAC	
11(ON)	(ON) - OFF 2T	H 16A 125 VAC 10A 250 VAC	2		RE	Red	(P5)	3	12VDC	
12	ON - ON 3T		3		OR	Orange		4	24VDC	
13	ON - OFF - ON 3T		4		GR	Green		(P6)		
			5		BL	Blue				
			8		GE	Grey				
X	Custom					(P6)				
							(P25)			