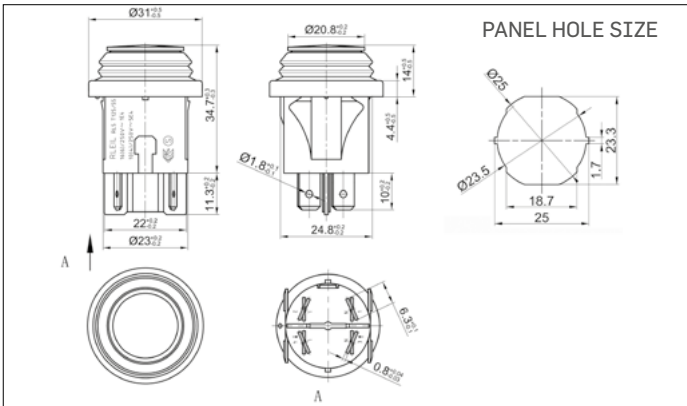




RL-51P-21/N-163(laser)-BK/BK-P1(WT-Led220V)

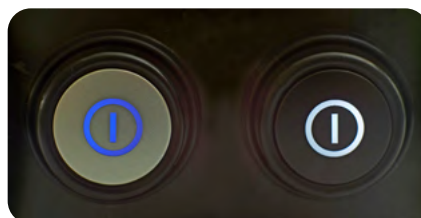


16 (6)A 250VAC T125/55 1E4
10 (4)A 250VAC T125/55 5E4
3/4HP 250VAC
1/2HP 125V
16A 125 VAC T105



RL-51P

RL-51P	21/N	0	RE/BK	P1	(2)			
Function	Cap Printing	Cap colour / Housing	Terminals	Voltage				
00	Indicator lamp 2T	0	None	WT	White		1	110VAC
11	ON - OFF 2T	562		BK	Black		2	220VAC
11/N	ON-OFF w/lamp 3T	566		RE	Red		3	12VDC
11(ON)	(ON) - OFF 2T	567		OR	Orange		4	24VDC
11+ILV	ON-OFF 2T + Ind. lamp 2T NEW	X	Custom	GR	Green			
21	ON - OFF 4T			BL	Blue			
21/N	ON - OFF - 4T w/lamp			GE	Grey			
21(ON)	(ON) - OFF 4T							
21(ON)N	(ON) - OFF 4T w/lamp							



You can choose the led or neon color you prefer, and will see it illuminated by through a customized laser serigraphy.