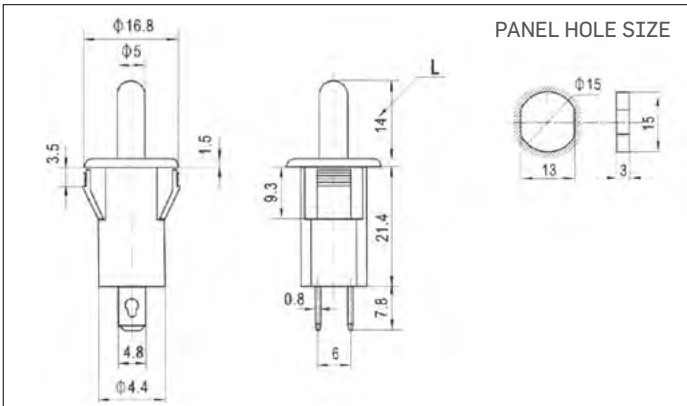




RL-52-10(ON)-H-BK-P8-L1



- (G): 10A 125VAC T105/55 10E3
6A 250VAC T105/55 10E3
10A 125V T85
- (H): 16A 125VAC T105/55 10E3
10A 250VAC T105/55 10E3
16A 125V/10A250V T85



RL-52

RL-52		10(ON)	H	BK	P8	L1	L		
Function		Rating	Cap colour / Housing		Terminals	Push lenth	Operating Force		
10(ON)	(ON) - OFF 2T	G 10A 125 VAC 6A 250 VAC	WT	White		L1	10 mm.	L	100 ± 30 gf
				BK		Black	L2	12 mm.	N
		H 16A 125 VAC 10A 250 VAC				L3	14 mm.	Y	500 ± 100 gf
						L4	16 mm.		