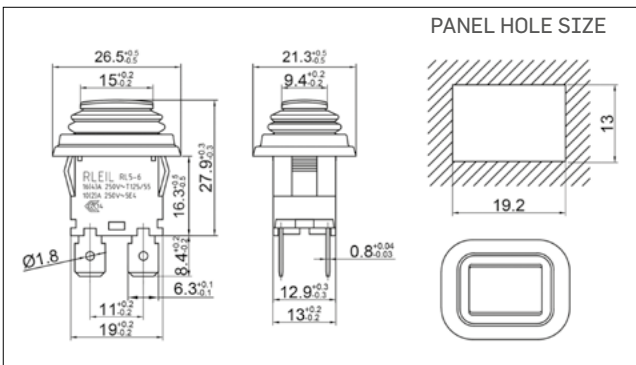




RL-56P-21/N-A-163-RE/BK-P1-0-2



RL RL

15A 125V

16 (4) A 250VAC T125/55 1E4
10 (2) A 250VAC 5E4



RL-56P

RL-56P 21/N A 0 RE/BK P4 0 (2)

| Function | | Cap Type | | Cap Printing | Cap colour / Housing | Terminals | Nothing | Voltage | | |
|----------|----------------------|----------|------|--------------|----------------------|-----------|---------|---------|---|--------|
| 11 | ON - OFF 2T | A | Flat | 310 | WT White | | 0 | Nothing | 1 | 110VAC |
| 11(ON) | (ON) - OFF 2T | | | 378 | BK Black | | | | 2 | 220VAC |
| 21 | ON - OFF 4T | | | 547 | RE Red | | | | 3 | 12VDC |
| 21/N | ON - OFF 4T w/lamp | | | X | OR Orange | | 4 | 24VDC | | |
| 21(ON) | (ON) - OFF 4T | | | | GR Green | | | | | |
| 21(ON)/N | (ON) - OFF 4T w/lamp | | | | BL Blue | | | | | |
| | | | | | GE Grey | | | | | |