

switching on the world 2023

m2b

rleil
europe



Rocker switches - Push switches - Slide switches - Micro switches - Rotary switches - Wires&PCB sets - Power Sockets - Indicator Lamps



Rocker switches



Slide switches



Push switches



Metal switches



Micro switches



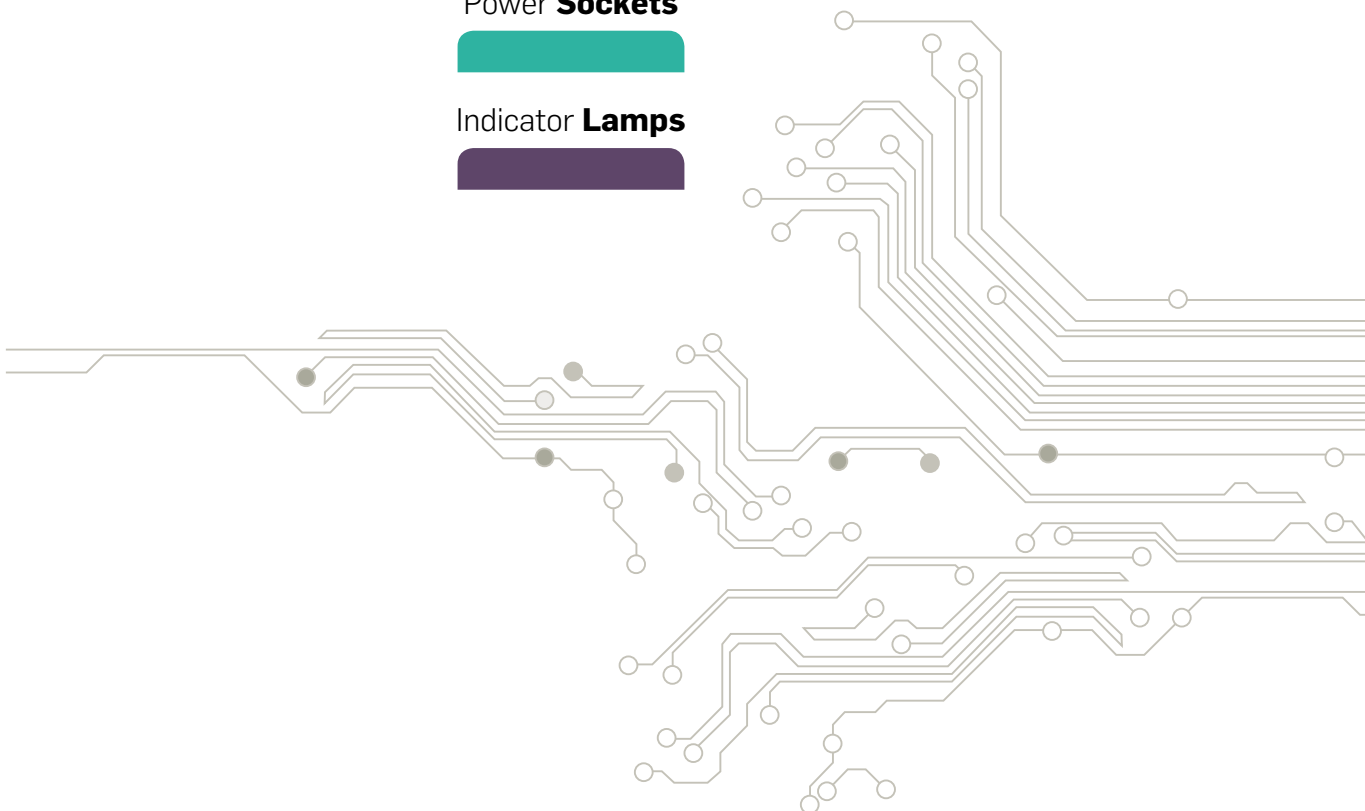
Rotary switches

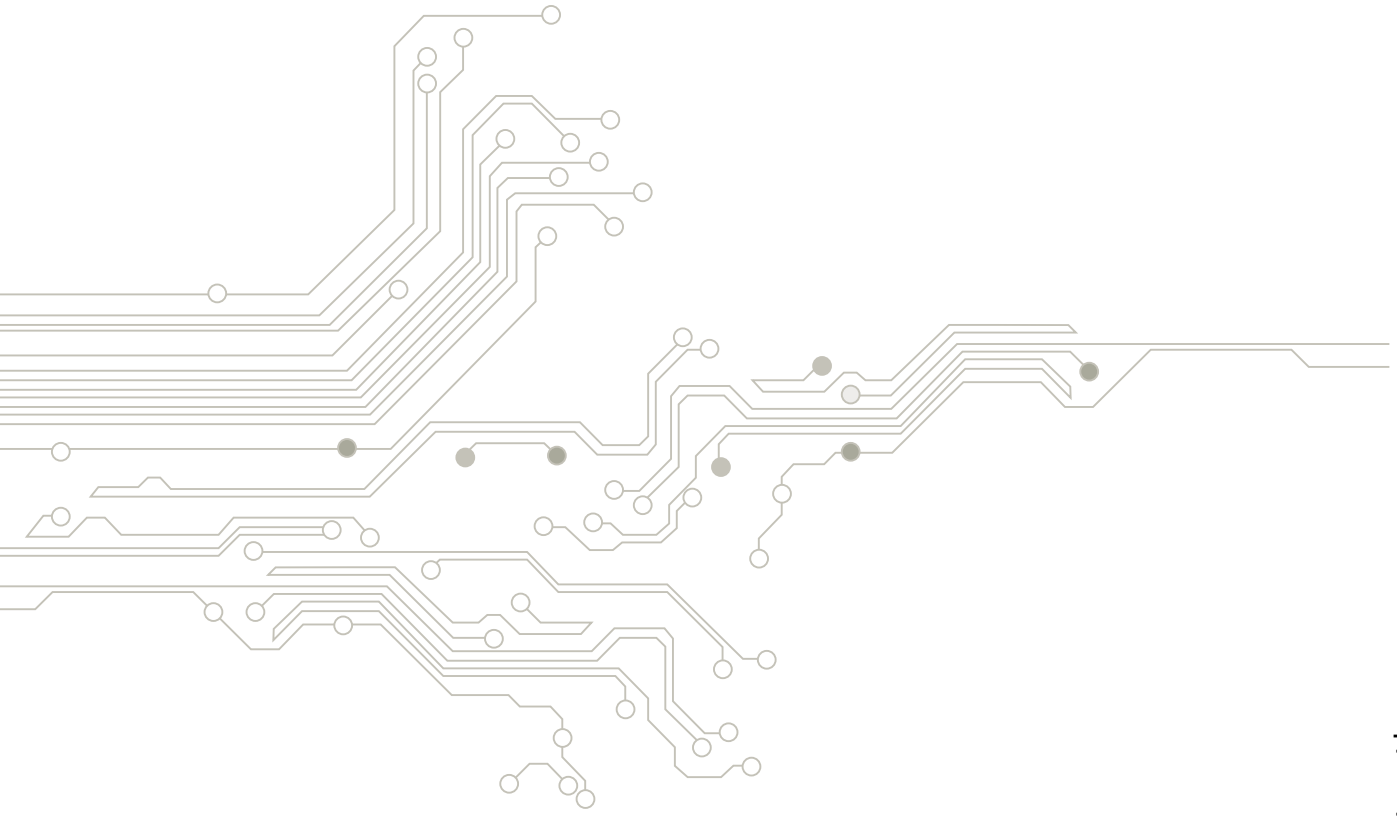


Power **Sockets**



Indicator **Lamps**





5	Company profile
7	Quality assurance
9	R&D
10	Customized productions
12	Wires & PCB sets
14	Cap printings
18	Splashproof & dust resistant protection
4	
11	
13	
17	
19	



contents

Rocker switches	Slide switches	Push switches	Metal switches	Micro switches	Rotary switches	Power Sockets	Indicator Lamps
21	57	59	73	77	85	89	93
56	58	72	76	84	88	92	99



We are located in Barcelona industrial area with more than 2.120m².



From our Barcelona facilities we work on the products' design and development, prototyping, quality control and distribution.



Our injection's plant counts with more than 40 machines with automatically operator system.





Company profile

M2B Technologies is an ISO 9000:2000 certified company specialized in the design and manufacture of electromechanical components with more than 40 years of experience within the electronic field.

In order to answer our customers' needs and expectations in 2004 our company established a Joint Venture with our Asian Partner which is still in force. Owing to this we can offer an excellent quality/price relation to our final customers.

Our products are designed and tested in Barcelona and manufactured by our partner under our specifications.

This Joint Venture allows us to increase our competitiveness, and due to it the most important national and international electronic

and electrical appliances' companies trust us as their suppliers / partners.

Thanks to our high standard quality products and our customized service, we are able to successfully support our customers from the design to the manufacture of their products (switches, lamps, assemblies, customized solutions, etc...).





Thanks to our traceability system our products are always under control.



We use testing machines similar to the ones used by SEMKO, TUV, VDE and AENOR overcoming the ENEC requirements standards. Due to this procedure we can guarantee the traceability and life cycle of our products.

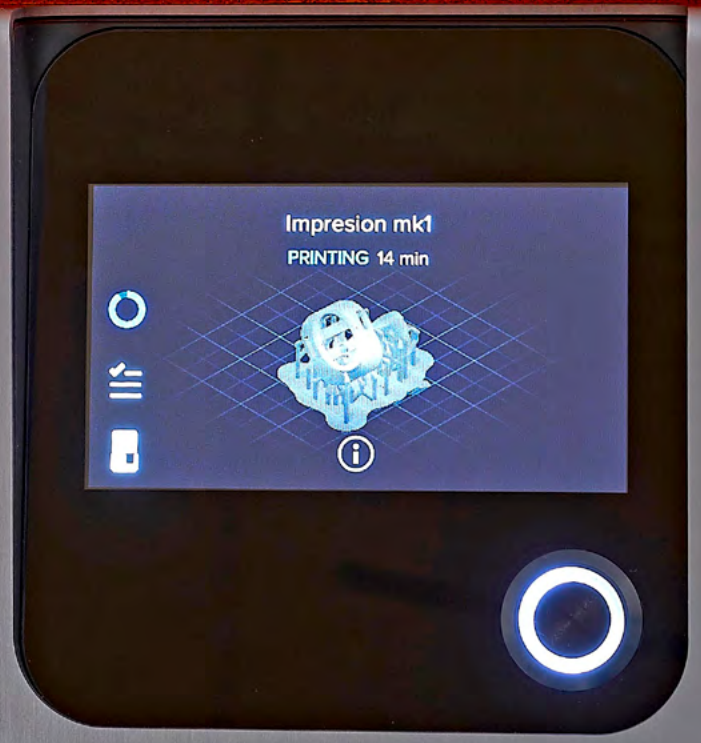
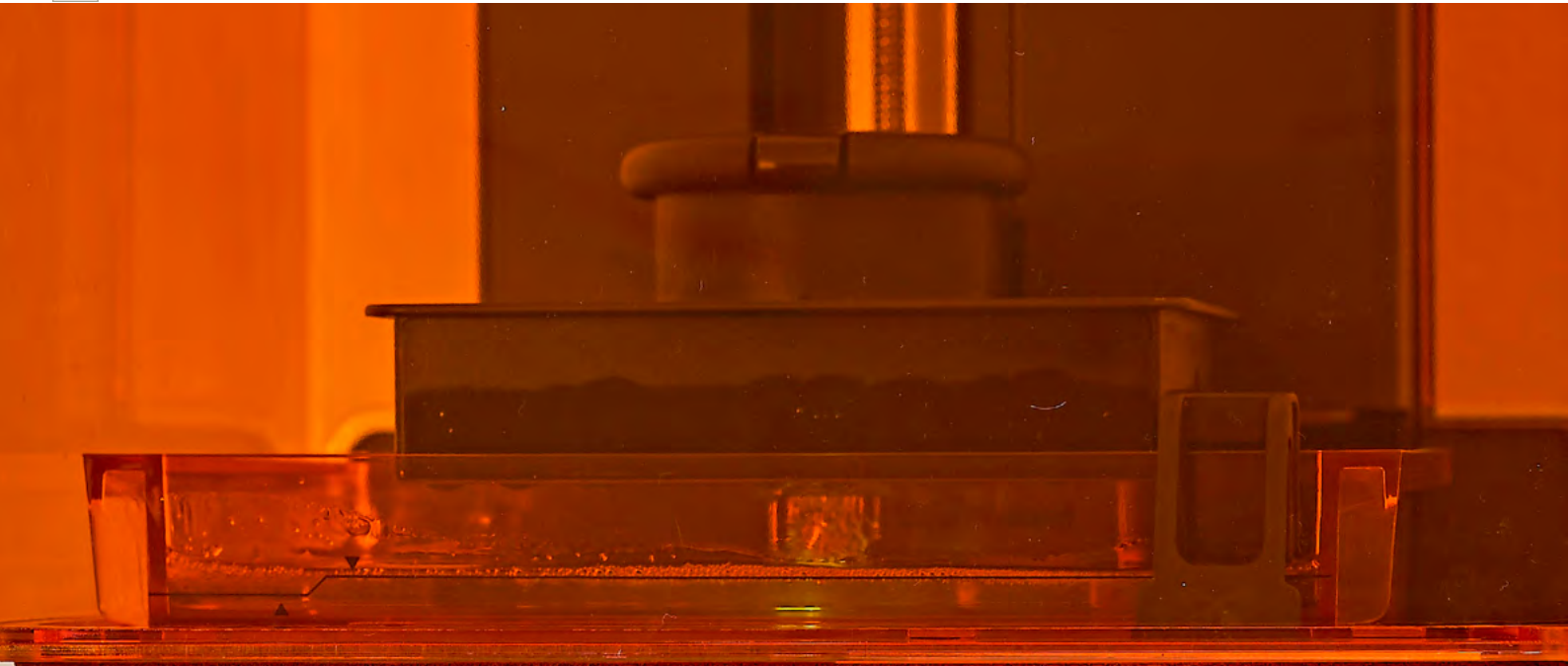




Quality assurance

All our products go through very strict quality tests to ensure a correct working, not only mechanical but also aesthetic, during a long period of time. That is the reason why most of our products have the **ENEC** and **UL** Certifications.

Once we get these certifications, we start to apply self-control systems and quality audits using internal testing machines similar to the ones used by **SEMKO**, **TUV**, **VDE** or **AENOR**, overcoming the **ENEC** standards. Our quality department, thanks to this advanced measurement equipment, is continuously checking all the parameters required and can guarantee our product's traceability and life cycles.



The design and development of our products is one of the most important parts of M2B Technologies. We count with the latest 3D CAD technology to ensure that the time between design and the final product is the shortest possible.

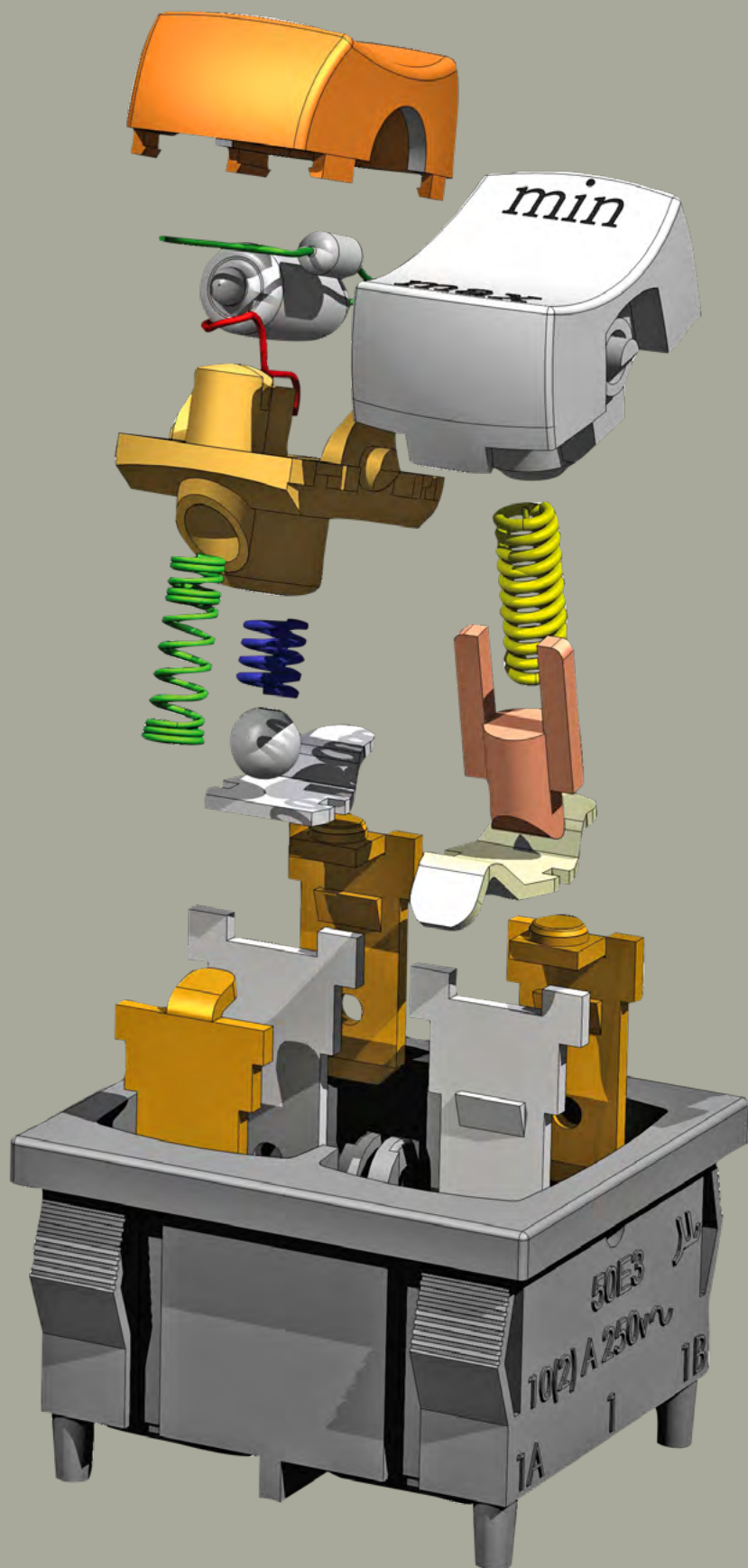


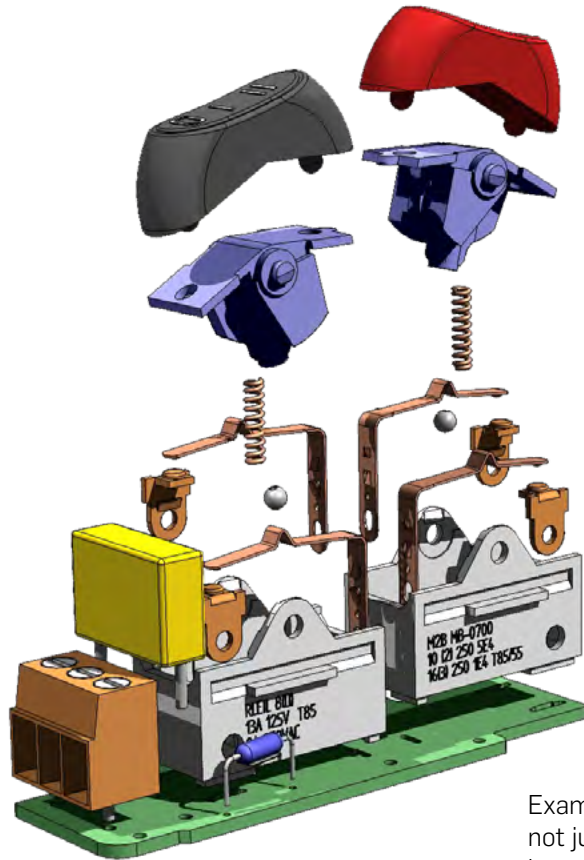
R&D

With the aim to create new and practical potential benefits that will adapt to market needs, we work on the design and development, being one of the most important parts of **M2B Technologies**.

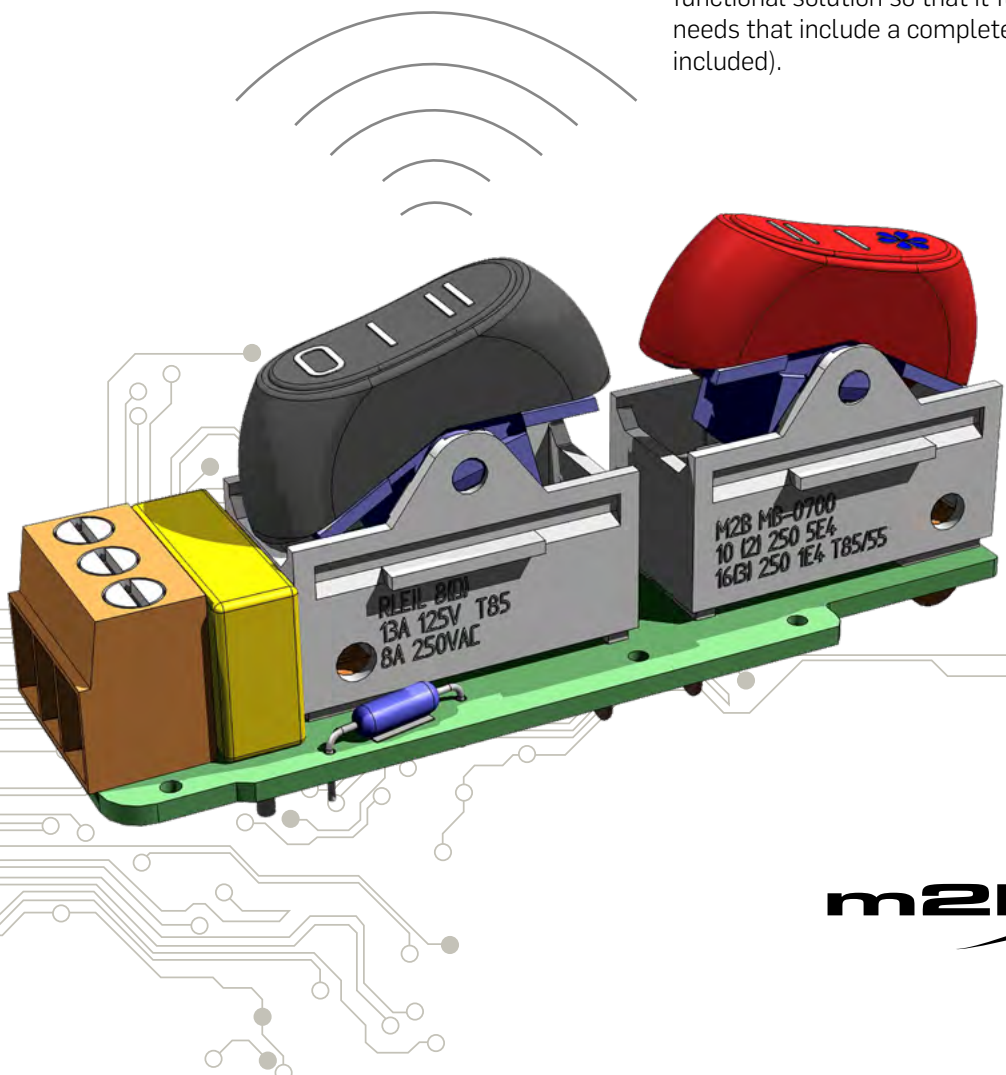
We have our own engineering office where knowledge, ability, innovation and creativity gets together in order to offer exclusive and certificate designs taking into consideration our customers' needs.

We count with the latest novelty in Cad-Cam technologies and **3D** printer that allows us to make quick prototypes in esthereolitography system, if needed.



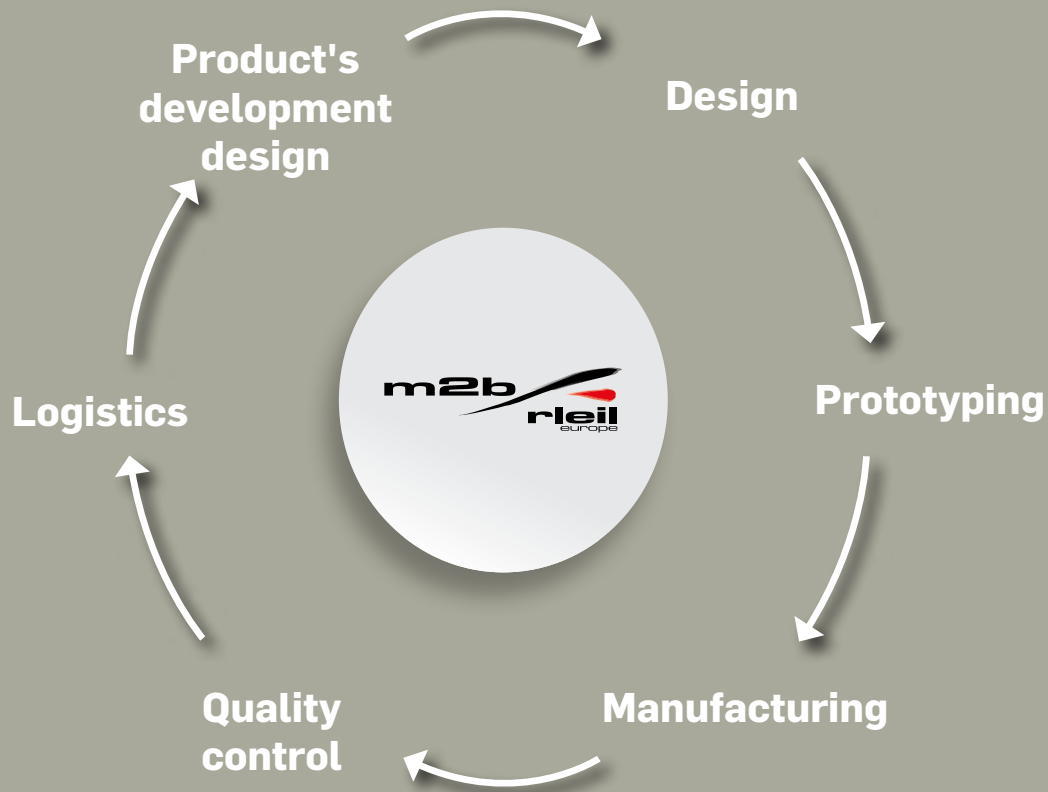


Example of a customized production where M2B is not just collaborating on the switches' development but also working on the design of the electrical and functional solution so that it fulfills our customers' needs that include a complete development (PCB included).



m2b
rleil
europe





Customized productions

M2B Technologies S.L. manufactures and commercializes switches as well as we can solve specific designs for customers in order to offer a complete service for the final product.

M2B works hand-in-hand with its customers in the management of their new projects. We help them during the design phases of the project. In addition, we provide them with materials, assemble, quality control, pack and distribute the products. Besides we offer our customers an after-sales service. Thus supplying our customers a complete service from the initial concept of their project up to the final product.

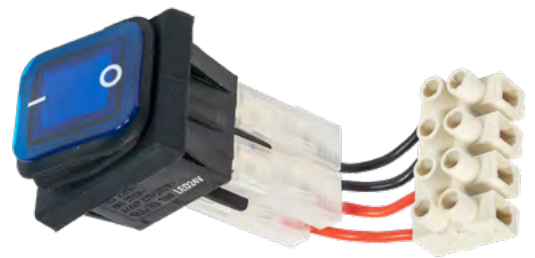
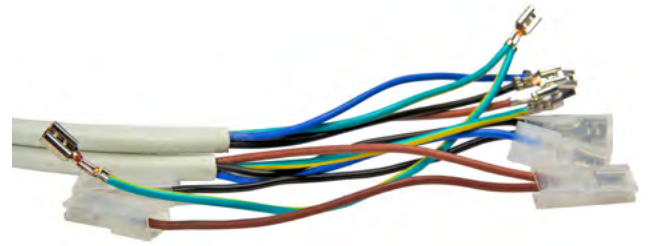


Wires sets

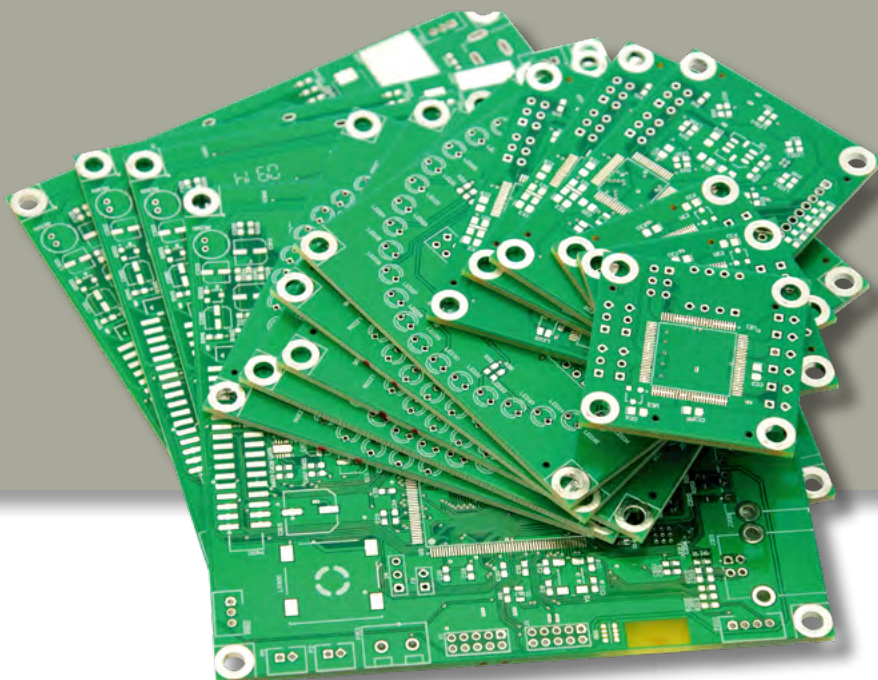


As highly specialized in the market of professional hairdryers and household appliances' products, we are expertise in designing and producing customized solutions.

Owing to it we can reduce the materials and resources' cost for our customers. Furthermore, thanks to this our customers can guarantee the quality of their final product, save time and optimize their productivity's efficiency.



PCB



M2B Technologies S.L. offers a product's line based on the production of high performance PCBs.

We do not only manufacture them but we are also in charge of their design and development.

This production counts with the advice of our engineering department in order to provide technical solutions to manufacturers involving a wide range of industrial sectors and products.

On one hand, our service includes the assembling of the PCB's on electrical units, switches, sockets, and cable sets. Besides, we are acquainted with a wide experience on these areas.

On the other hand, we are also able to deal with the guidelines and certifications related to the product such as SEMKO-ENEC, Rohs, UL or any other.

Our custom-designed products can be found within the productive processes of worldwide-known European industries on the energy, household appliances, medical-electrical devices, as well as the telecommunications sectors, among others. Our clients trust us as partners for the development of their new projects and products due to the fact that we offer knowledge, flexibility, experience and willingness to improve constantly.

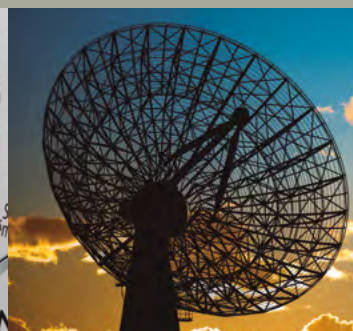
Electromedical



Home appliances



Telecommunications



Energy and Industry





0	None	28		56		84		113	
1		29		57		85		114	
2		30		58		86		115	
3		31		59		87		116	
4		32		60		88		117	
5		33		61		89		118	
6		34		62		90		119	
7		35		63		91		120	
8		36		64		92		121	
9		37		65		93		122	
10		38		66		94		123	
11		39		67		95		124	
12		40		68		96		125	
13		41		69		97		126	
14		42		70		98		127	
15		43		71		99		128	
16		44		72		100		129	
17		45		73		101		130	
18		46		74		102		131	
19		47		75		103		132	
20		48		76		104		133	
21		49		77		105		134	
22		50		78		106		135	
23		51		79		107		136	
24		52		80		108		137	
25		53		81		109		138	
26		54		82		110		139	
27		55		83		112		140	

MAN

AUT



Cap printings

www.m2bswitches.com

141		169		197		225		253	
142		170		198		226		254	
143		171		199		227		255	
144		172		200		228		256	
145		173		201		229		257	
146		174		202		230		258	
147		175		203		231		259	
148		176		204		232		260	
149		177		205		233		261	
150		178		206		234		262	
151		179		207		235		263	
152		180		208		236		264	
153		181		209		237		265	
154		182		210		238		266	
155		183		211		239		267	
156		184		212		240		268	
157		185		213		241		269	
158		186		214		242		270	
159		187		215		243		271	
160		188		216		244		272	
161		189		217		245		273	
162		190		218		246		274	
163		191		219		247		275	
164		192		220		248		276	
165		193		221		249		277	
166		194		222		250		278	
167		195		223		251		279	
168		196		224		252		280	



281		309		336		364		392	
282		310		337		365			
283		311		338		366		394	
284		312		339		367		395	
285		313		340		368			
286		314		341		369		397	
287		315		342		370		398	
288		316		343		371		399	
289		317		344		372		400	
		318		345		373		401	
291		319		346		374		402	
292		320		347		375			
		321		348		376		404	
294		322		349		377		405	
295		323		350		378		406	
296		324		351		379		407	
297		325		352		380		408	
298		326		353		381		409	
299		327		354		382		410	
300		328		355		383		411	
301		329		356		384		412	
302		330		357		385		413	
303		331		358		386		414	
304				359				415	
305		333		360		388		416	
306		334		361		389		417	
307		335		362		390		418	
308				363		391		419	

Cap printings

420		448		476		504		532		559	
421		449		477		505		533		560	
422		450				506		534		561	
423		451		479		507		535		562	
424		452		480		508		536		563	
425		453		481		509		537		564	
426		454		482		510		538		565	
427		455		483				539		566	
428		456		484				540		567	
429		457				513		541		568	
430		458		486		514		542		569	
431		459		487		515		543		570	
432		460		488		516		544		571	
433		461		489		517		545			
434				490		518		546			
435		463		491		519		547			
436		464		492		520		548			
437		465		493		521		549			
438		466		494		522		550			
439		467		495		523		551			
440		468		496		524		552			
441		469		497		525		553			
442		470		498		526		554			
443		471		499		527		555			
444		472		500		528		556			
445		473		501		529		557			
446		474		502				558			
447		475		503		531					

Splashproof & dust resistant protection

RL-13-PVC cap

RL-11

RL-13

RL-13W



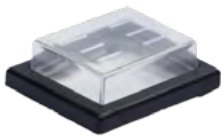
RL-23-PVC cap

RL-21

RL-23

RL-24

RL-25



RL-31-PVC cap

RL-31

RL-33

RL-34

RL-54

RL-56

RL-310



RL-32-PVC cap

RL-32

RL-32D



You can increase the IP protection of your switches adding a PVC-CAP.

Thanks to it you can increase them to a IP65 protection.

Please, have a look at the table above for possible compatibilities.



RL-35-PVC cap RL-34R RL-35 RL-35X RL-35P



RL-51-PVC cap RL-51



MT8 MT8



Switches with Switches with IP65 protection without additional devices

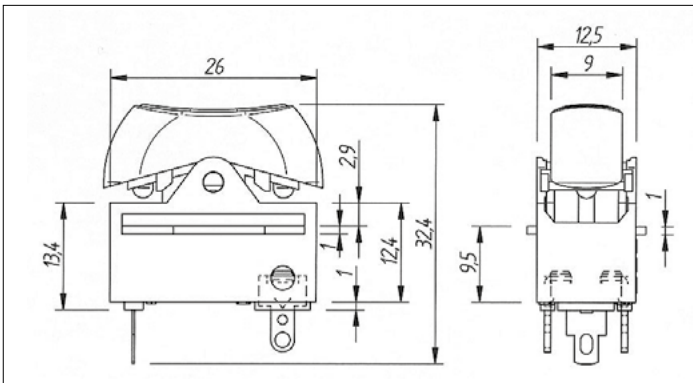
RL-2T2 RL-2P RL-3P RL-35X-P RL-51P RL-56P RL-56RP ZLQ



Rocker switches



MB-0500-10-168-BK/BR-P45-B-0



13A 125V

250VAC 16(3) T85/55 1E4
10(2) T85/55 5E4

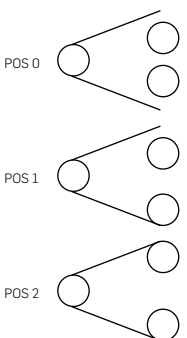


MB-0500

MB-0500 10 2 BK/BR P16 A S

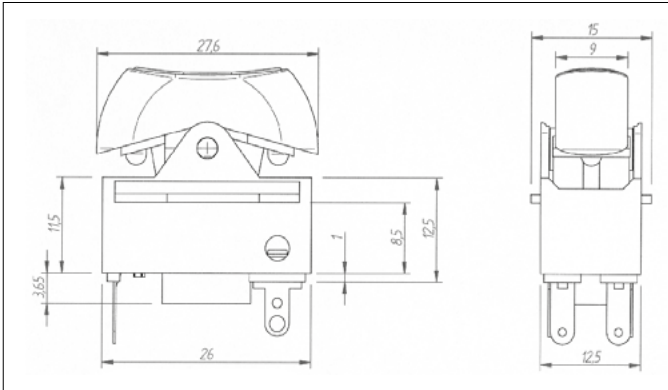
Function		Cap Printing		Cap colour / Housing		Terminals	Box type	Support
10	OF - ON - ON	0	None	WT	White		A	S
		371		BK	Black			
		372		RE	Red		B	O
		168		OR	Orange			
		K	Without actuator	GR	Green			
		X	Custom	BL	Blue			
				BR	Brown			

Electrical diagram





MB-0700-10-275-RE/BR-P16-0



13A 125V/8A 250V T85

250VAC 16(3) T85/55 1E4
10(2) T85/55 5E4

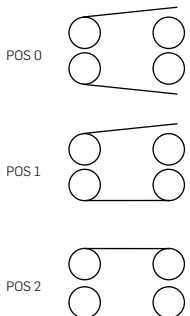


MB-0700

MB-0700 10 0 RE/BR P16 S

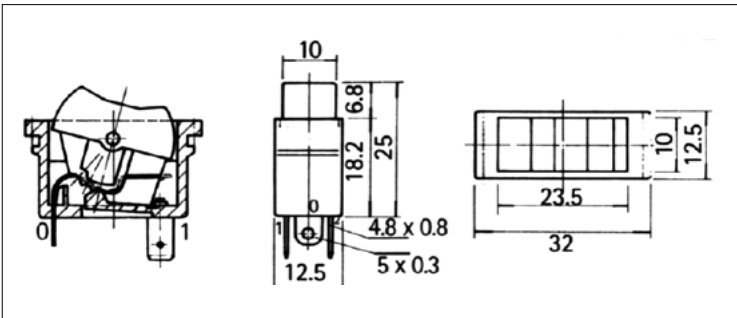
Function		Cap Printing		Cap colour / Housing		Terminals	Support
10	OF - ON - ON	0	None	WT	White		
		371	● 1 2	BK	Black		
		372	0 1 2	RE	Red		
		168	○ I II	OR	Orange		
		K	Without actuator	BL	Blue		
		X	Custom	BR	Brown		

Electrical diagram





TI-200-10-R-152-RE/BK-P16



250V 10(2) T85/55 25E3
16(3) T85/55 1E4

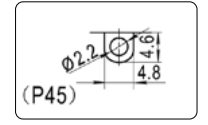
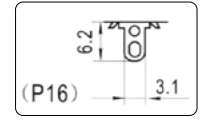
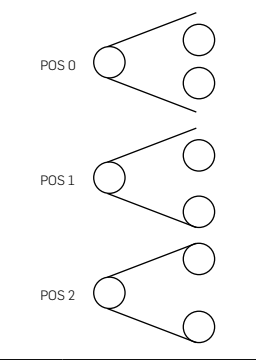


TI-200

TI-200 10 B 3 RE/BK P16

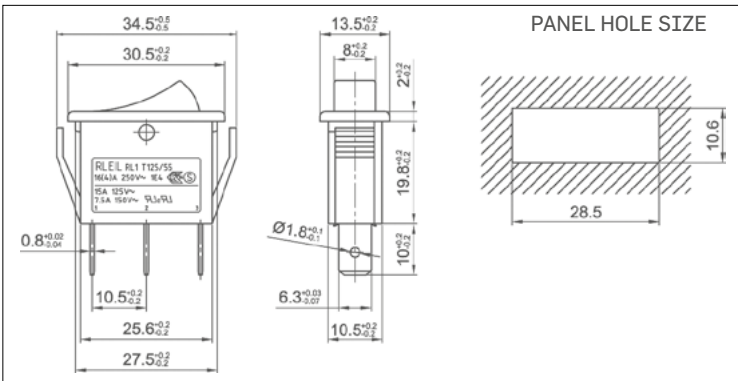
Function		Body type		Cap Printing		Cap colour / Housing		Terminals
10	OF - ON - ON 3T	B	Round	0	None	WT	White	
		C	Narrow	371	● 1 2	BK	Black	
				372	0 1 2	RE	Red	
				168	○ I II	BL	Blue	
				X	Custom			

Electrical diagram





RL-11-11/N-C-2-RE/BK-P2



16 (4)A 250VAC T125 55 1E4
15A 125V/7.5A 250VAC



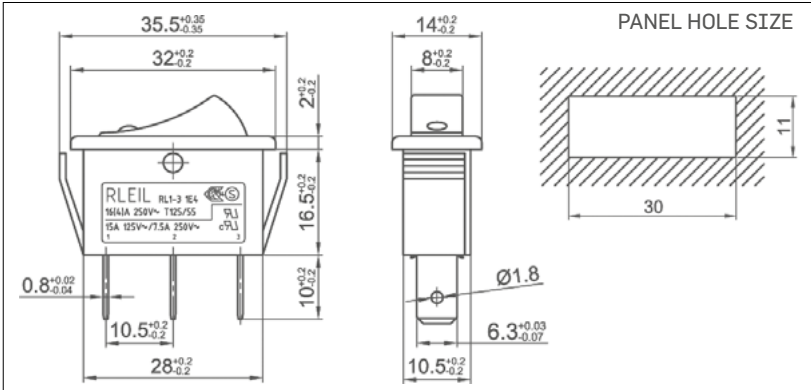
RL-11

RL-11 11/N C 2 RE/BK P1 (2)

Function		Cap type		Cap Printing		Cap colour / Housing		Terminals	Voltage
11	ON - OFF 2T	A	Flat	0	None	WT	White		1 110VAC
11/N	ON - OFF 3T w/lamp	C	Soft line	1		BK	Black		2 220VAC
11(O)	(ON) - OFF 2T	D	W/Round len	2		RE	Red		3 12VDC
12	ON - ON 3T			3		OR	Orange		4 24VDC
13	ON - OFF 3T			4		GR	Green		
				5		BL	Blue		
				8		GE	Grey		
				X	Custom				



RL-13-11/N-C-2-GR/BK-P2



16 (4)A 250VAC T125/55 1E4
15A 125V/7.5A 250VAC

(H) Rating: 16(8)A 250VAC T85/55 1E4



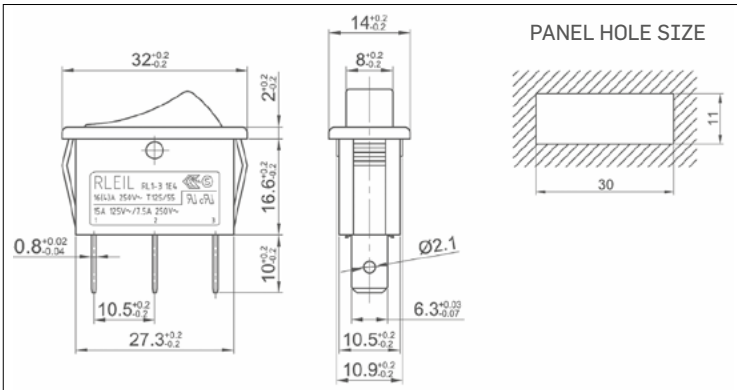
RL-13

RL-13 11/N C 2 GR/BK P1 (2)

Function		Cap type		Cap Printing		Cap colour / Housing		Terminals	Voltage	
00	Indicator lamp 2T	A	Flat	0	None	WT	White		1	110VAC
11	ON - OFF 2T	C	Soft line	1		BK	Black		2	220VAC
11/N	ON - OFF 3T w/lamp	D	W/Round len	2		RE	Red		3	12VDC
11(ON)	(ON) - OFF 2T	I	Indicator lamp	3		OR	Orange		4	24VDC
12	ON - ON 3T	P	W/PVC-CAP	4		GR	Green			
12(ON)	(ON) - ON 3T			5		BL	Blue			
13	ON - OFF -ON 3T			6		GE	Grey			
				7						
				8						
				X	Custom					



RL-13W-11/N-D (OR)-39-BK/BK-P1-2



16 (4)A 250VAC T125/55 1E4
15A 125V/7.5A 250VAC

(H) Rating: 16(8)A 250VAC T85/55 1E4



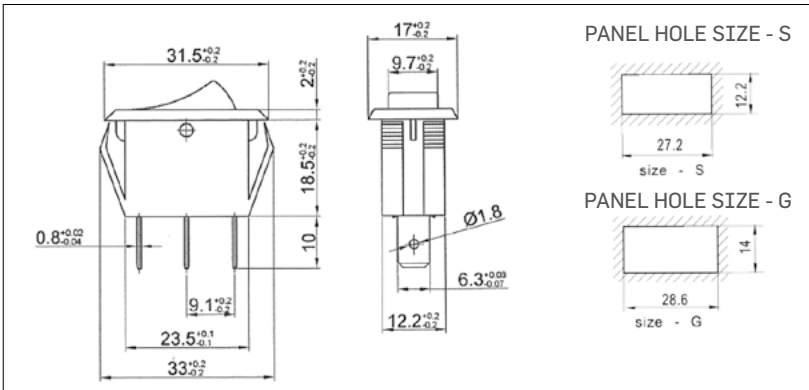
RL-13W

RL-13W 11/N C 2 RE/BK P1 (2)

Function		Cap type		Cap Printing		Cap colour / Housing		Terminals	Voltage	
00	Indicator lamp 2T	A	Flat	0	None	WT	White		1	110VAC
11	ON - OFF 2T	C	Soft line	1		BK	Black		2	220VAC
11/N	ON - OFF 3T w/lamp	D	W/Round len	2		RE	Red		3	12VDC
11(ON)	(ON) - OFF 2T	I	Indicator lamp	3		OR	Orange		4	24VDC
12	ON - ON 3T	P	W/PVC-CAP	4		GR	Green			
12(ON)	(ON) - ON 3T			5		BL	Blue			
13	ON - OFF -ON 3T			6		GE	Grey			
				7						
				8						
				X	Custom					



RL-15-11/N-C-2-RE/BK-P1-S-2



16 (4)A 250VAC T125/55 1E4
15A 125V

(H) Rating: 20A 125V 3/4HP T105

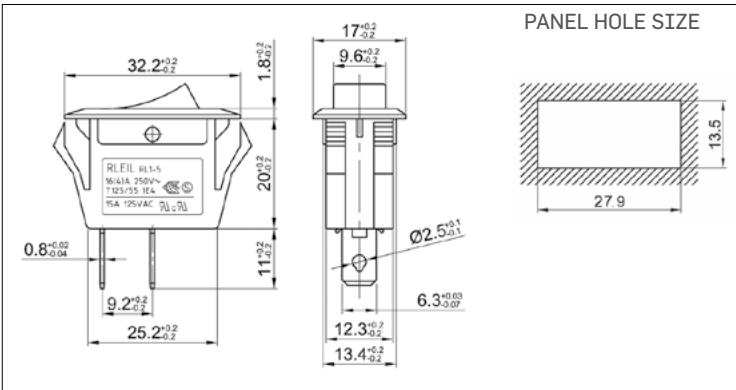


RL-15

RL-15	11/N	C	2	BK/BK	P1	S	(2)
Function	Cap type	Cap Printing	Cap colour / Housing	Terminals	Panel hole size	Voltage	
11	ON - OFF 2T	A Flat	0 None	WT White		 	1 110VAC
11/N	ON - OFF 3T w/lamp	C Soft line	1	BK Black	(P1)		2 220VAC
11 (ON)	(ON) - OFF 2T		2	RE Red			3 12VDC
11 (OFF)	ON - (OFF) 2T		3	OR Orange	4 24VDC		
12	ON - ON 3T		4	GR Green	(P2)		
12 (ON)	(ON) - ON 3T		5	BL Blue			
13	ON - OFF - ON 3T		6	GE Grey	(P14)		
13 (ON)	(ON) - OFF - ON 3T		7				
13 (2xON)	(ON) - OFF - (ON) 3T	NEW	8				
			X Custom				



RL-15W-11/N-C-1-OR/BK-P3-2



16 (4)A 250VAC T125/55 1E4
15A 125V



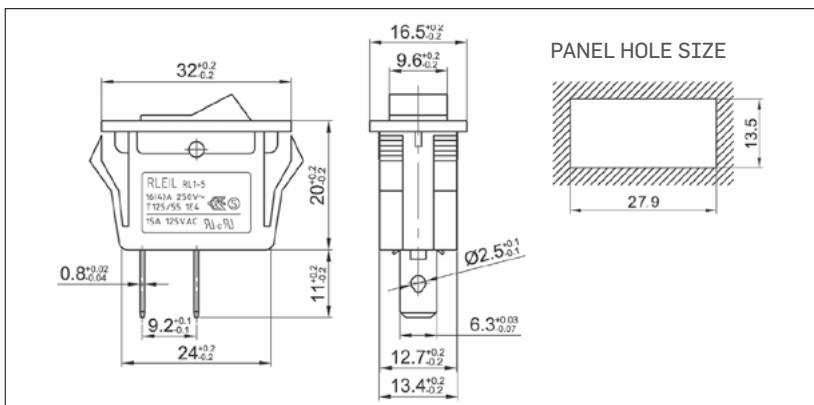
RL-15W

RL-15W 11/N C 2 RE/BK P3 ... (2)

Function		Cap type		Cap Printing		Cap colour / Housing		Terminals	Voltage	
11	ON - OFF 2T	B	Angle	0	None	WT	White		1	110VAC
11/N	ON - OFF 3T w/lamp	C	Soft line	1		BK	Black		2	220VAC
12	ON - ON 3T	C	Soft line	2		RE	Red		3	12VDC
				3		OR	Orange		4	24VDC
4		C	Soft line	4		GR	Green			
		C	Soft line	5		BL	Blue			
		C	Soft line	8		GE	Grey			
		C	Soft line	9						
		C	Soft line	X	Custom					



RL-15X-11/N-B-0-RE/BK-P3-2



16 (4)A 250VAC T125/55 1E4
15A 125V

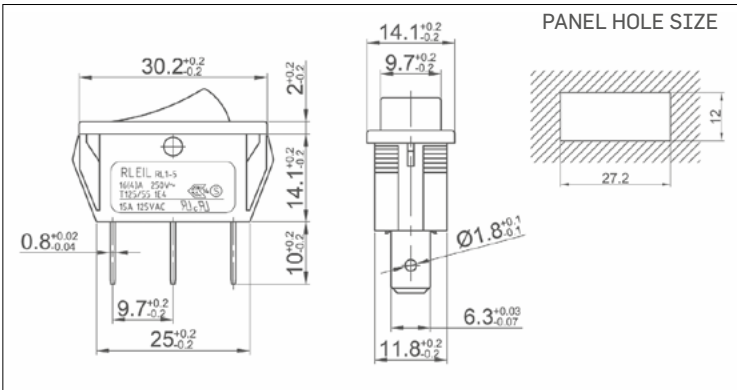


RL-15X

RL-15X	11/N	C	2	RE/BK	P3	...	(2)				
Function		Cap type		Cap Printing		Cap colour / Housing		Terminals		Voltage	
11	ON - OFF 2T	B	Angle	0	None	WT	White			1	110VAC
11/N	ON - OFF 3T w/lamp	C	Soft line	1		BK	Black			2	220VAC
12	ON - ON 3T	C	Soft line	2		RE	Red			3	12VDC
				3		OR	Orange			4	24VDC
4		C	Soft line	4		GR	Green				
5		C	Soft line	5		BL	Blue				
8		C	Soft line	8		GE	Grey				
X		C	Soft line	X	Custom						



RL-15Y-11-B-2-BK/BK-P2



16 (4)A 250VAC T125/55 1E4
15A 125V



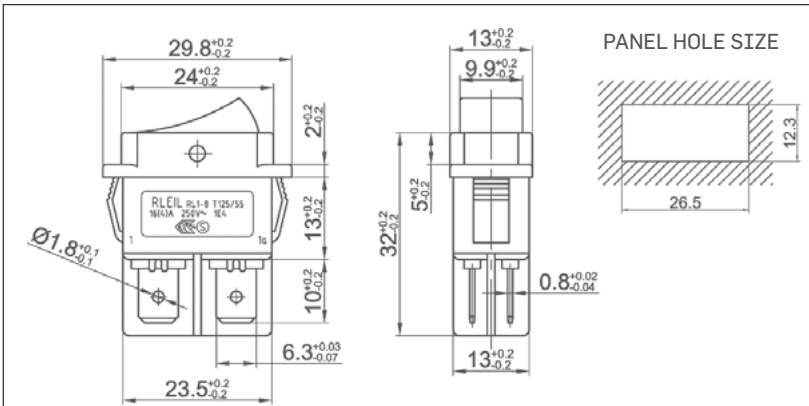
RL-15Y

RL-15Y 11 B 2 BK/BK P1

Function		Cap type		Cap Printing		Cap colour / Housing		Terminals
11	ON - OFF 2T	B	Angle	0	None	WT	White	<p>(P1) 6.3</p>
12	ON - ON 3T	C	Soft line	1		BK	Black	
13	ON - OFF - ON 3T			2		RE	Red	<p>(P2) 6.3</p>
				3		OR	Orange	
				4		GR	Green	<p>(P4) 4.8</p>
				5		BL	Blue	
				X	Custom	GE	Grey	<p>(P14) 2.5</p>



RL-18-21-C-2-RE/BK-P1



R C R

16 (4)A 250VAC T125/55 1E4
16A 125VAC 1/2 HP T105



RL-18

RL-18 11 C 2 WT/BK P1

Function		Cap type		Cap Printing		Cap colour / Housing		Terminals
----------	--	----------	--	--------------	--	----------------------	--	-----------

11	ON - OFF 2T	C	Soft line	0	None	WT	White	<p>(P1)</p>
21	ON - OFF 4T			1		BK	Black	
				2		GE	Grey	

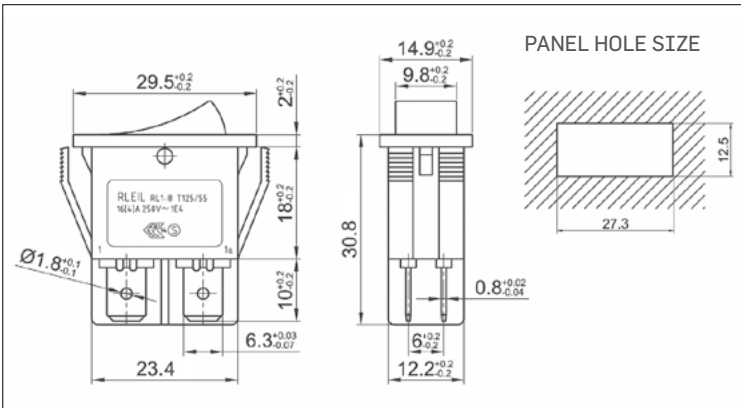
				3				<p>(P21-F)</p>
				4				
				5				

				8				<p>(PCB)</p>
				X	Custom			

NEW



RL-18W-21/N-D(GR)-C-129-BK/BK-P1



16 (4)A 250VAC T125/55 1E4
16A 125VAC ½ HP T105



RL-18W

RL-18W 11 C 2 WT/BK P1

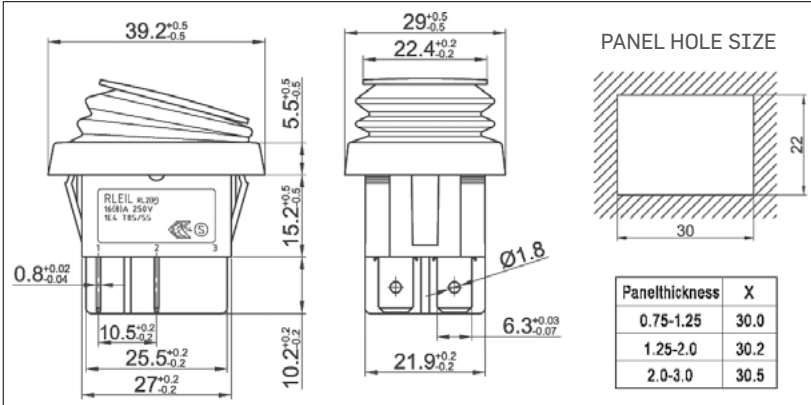
Function		Cap type		Cap Printing		Cap colour / Housing		Terminals
11	ON - OFF 2T	C	Soft line	0	None	WT	White	<p>(P1)</p>
21	ON - OFF 4T			1		BK	Black	
21/N-D	ON- OFF 4T w/lamp			2		GE	Grey	
				3				<p>(P21)</p>
				4				
				5				<p>(P21-F)</p>
				8				
				X	Custom			



RL-2P-21/N-C-2-RE/BK-P1-2



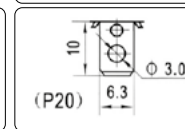
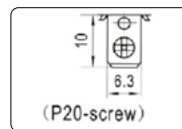
MOQ: 5K



16 (8)A 250VAC T85/55 1E4
16A 125VAC
10A 250VAC
3/4 HP 125/250VAC T80

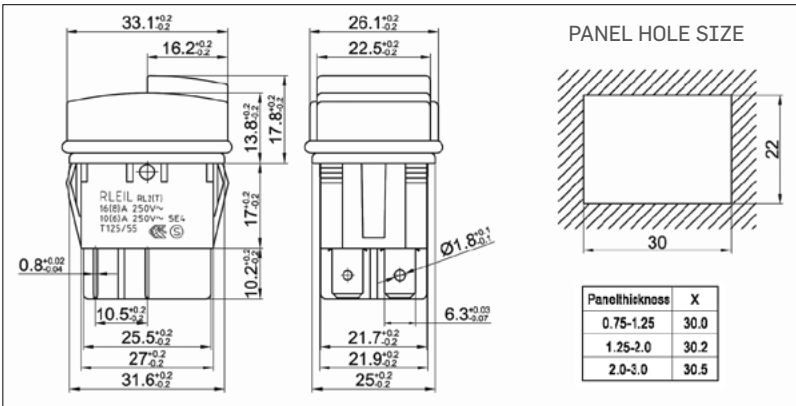
RL-2P

RL-2P	21/N	C	2	BK/BK	P1	(2)	
Function	Cap type	Cap Printing	Cap colour / Housing	Terminals	Voltage		
21	ON - OFF 4T	C	0	WT		1	
21/N	ON - OFF - 4T w/lamp		1	BK		2	
21(ON)	(ON) - OFF 4T		2	RE		3	
22	ON - ON 6T		3	OR		4	
22/N	ON-ON 6T		4	GR			
22(ON)	(ON)-ON 6T		5	BL			
23	ON - OFF - ON 6T		X	GE			
23(ON)	(ON) - OFF - ON 6T						
23(2xON)	(ON) - OFF - (ON) 6T						





RL-2T2-21-2-BK-GR/BK-P1



RU c RU

16A 125V

10 (6)A 250VAC T125/55 5E4
16 (8)A 250VAC T125/55 1E4



RL-2T2

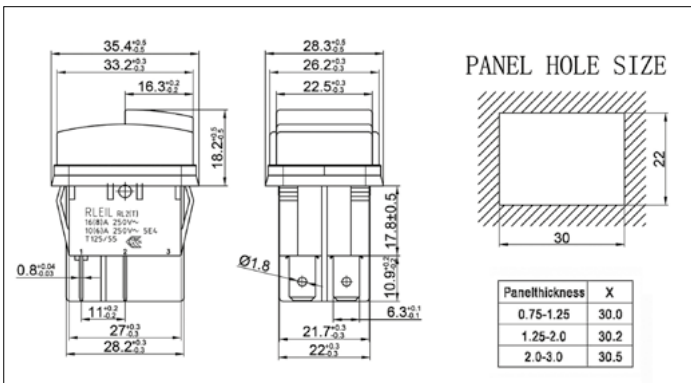
RL-2T2 21 2 BK-BK/BK P1

Function		Cap Printing		Cap colour / Housing		Terminals
11	ON - OFF 2T	0	None	WT	White	
12	ON - ON 3T	1		BK	Black	
21	ON - OFF 4T	2		RE	Red	
22	ON - ON 6T	3		OR	Orange	
		4		GR	Green	
		5		BL	Blue	
		8		GE	Grey	
		X	Custom			



NEW

RL-2T2S-21-2-RE-GR/BK-P1



16A 125V

10 (6)A 250VAC T125/55 5E4
16 (8)A 250VAC T125/55 1E4m2b
rleil
europe

RL-2T2S

RL-2T2S

21

2

BK-BK/BK

P1

Function

Cap Printing

Cap colour / Housing

Terminals

11 ON - OFF 2T

0 None

WT White

12 ON - ON 3T

1

BK Black

21 ON - OFF 4T

2

RE Red

22 ON - ON 6T

3

OR Orange

4

GR Green

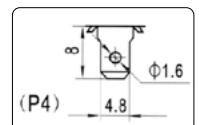
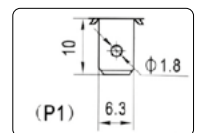
5

BL Blue

8

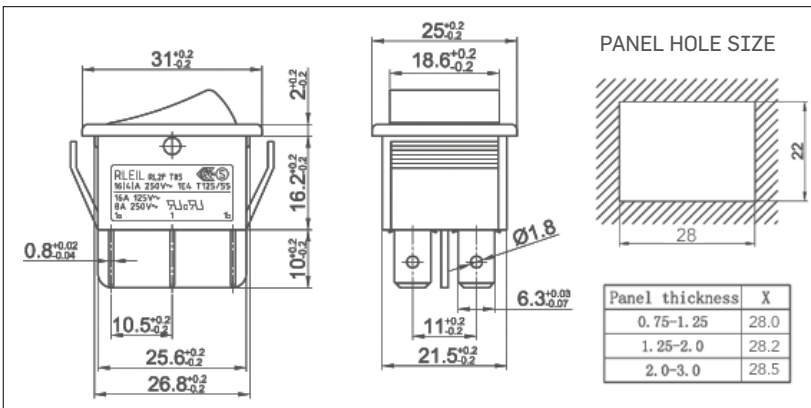
GE Grey

X Custom





RL-21-21-C-2-OR/BK-P2



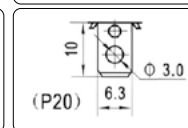
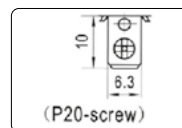
16 (4)A 250VAC T125/55 1E4
16A 125V/8A 250VAC



RL-21

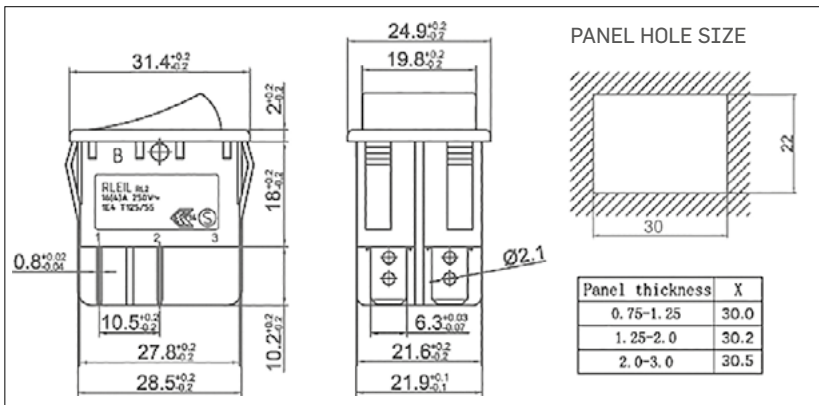
RL-21 11 C 2 BK/BK P1 ... (2)

Function		Cap type		Cap Printing		Cap colour / Housing		Terminals	Voltage
11	ON - OFF 2T	A	Flat	0	None	WT	White		1 110VAC
12	ON - ON 3T	C	Soft line	1		BK	Black		2 220VAC
21	ON - OFF 4T	P	W/PVC-Cap.	2		RE	Red		3 12VDC
21/N	ON - OFF - 4T w/lamp	D	W/round led NEW	3		OR	Orange		4 24VDC
22	ON - ON 6T			4		GR	Green		
22(ON)	(ON) - ON 6T			5		BL	Blue		
23	ON - OFF - ON 6T			6		GE	Grey		
				7					
				8					
				X	Custom				





RL-23-21/N-C-8-GR/BK-P1-2



Lateral protection frame.



16 (4)A 250VAC T125/55 1E4
16A 125V/8A 250VAC

(H) Rating: 16(8)A 250VAC T85/55 1E4

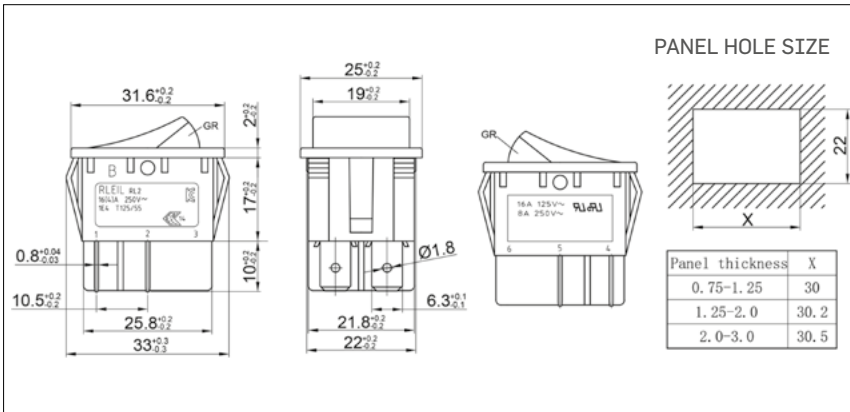


RL-23

RL-23	11	C	2	BK/BK	P1	...	(2)
Function	Cap type	Cap Printing	Cap colour / Housing	Terminals	Voltage		
00	Indicator lamp 2T	A Flat	0 None	WT White		1	110VAC
11	ON - OFF 2T	C Soft line	1	BK Black		2	220VAC
12	ON - ON 3T	P W/PVC-Cap.	2	RE Red		3	12VDC
13	ON - OFF - ON 3T	D W/Round len	3	OR Orange		4	24VDC
21	ON - OFF 4T	I Indicator lamp	4	GR Green			
21(N)	ON - OFF - 4T w/lamp	F Lateral protection frame NEW	5	BL Blue			
21(ON)	(ON) - OFF 4T		6	GE Grey			
21(OFF)	ON - (OFF) 4T		7				
22	ON - ON 6T		8				
22(N)	ON-ON 6T w/lamp		X Custom				
23	ON - OFF - ON 6T						
23(N)	ON-OFF-ON 6T w/lamp NEW						
23(ON)	(ON) - OFF - ON 6T						
23(2xON)	(ON) - OFF - (ON) 6T						



RL-23 BC-21-C-0-BK-RE/BK-P1



16 (4)A 250VAC T125/55 1E4
16A 125V/8A 250VAC

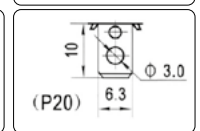
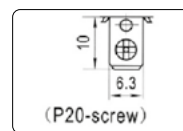
(H) Rating: 16(8)A 250VAC T85/55 1E4



RL-23 BC

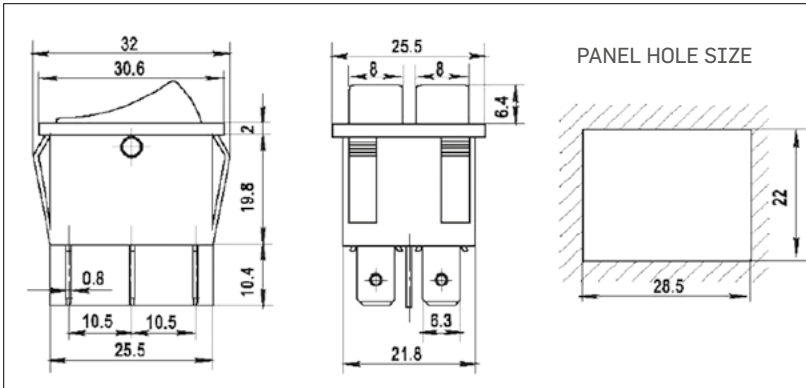
RL-23 BC 11 C 2 BK/BK P1

Function		Cap type		Cap Printing		Cap colour / Housing		Terminals
11	ON - OFF 2T	C	Soft line	0	None	WT	White	
12	ON - ON 3T	P	W/PVC-Cap.	1		BK	Black	
21	ON - OFF 4T			2		RE	Red	
21(ON)	(ON) - OFF 4T			3		OR	Orange	
21(OFF)	ON - (OFF) 4T			4		GR	Green	
22	ON - ON 6T			5		BL	Blue	
				8		GE	Grey	
				X	Custom			





RL-24-21/N-C-30-RE/BK-P2-2



16 (4)A 250VAC T125/55 1E4
16A 125V/8A 250VAC

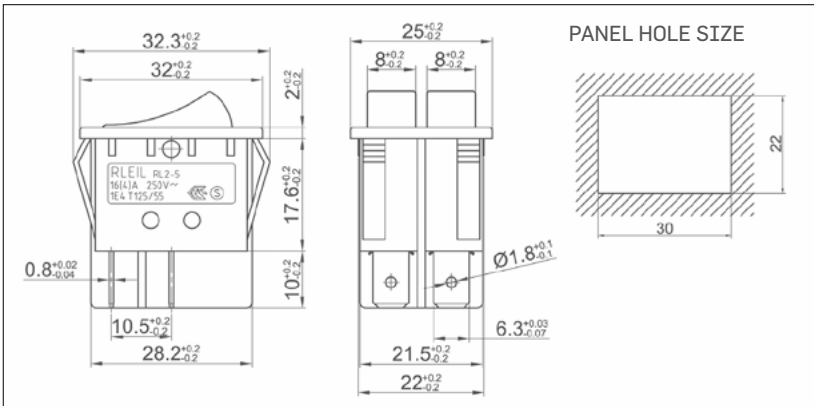


RL-24

RL-24	11	C	2	BK/BK	P1	...	(2)				
Function		Cap type		Cap Printing		Cap colour / Housing		Terminals		Voltage	
21	ON - OFF 4T	A	Flat	0	None	WT	White			1	110VAC
21/N	ON - OFF - 6T w/lamp	C	Soft line	11		BK	Black			2	220VAC
22	ON - ON 6T	P	W/PVC-Cap.	12		RE	Red			3	12VDC
		D	W/round led	13		OR	Orange			4	24VDC
				30		GR	Green				
				X	Custom	BL	Blue				
						GE	Grey				



RL-25-21/N-A-30-GR/BK-P2-2

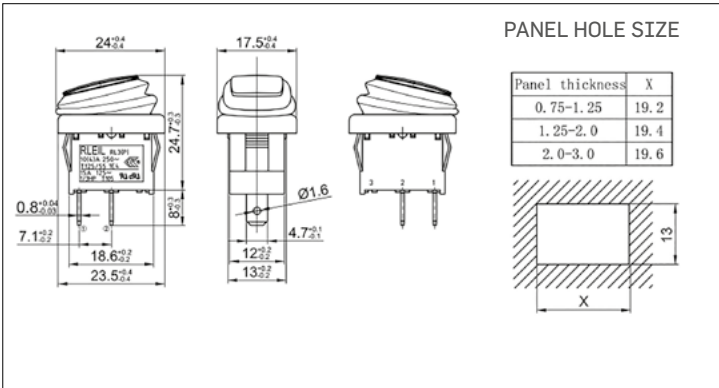


16 (4)A 250VAC T125/55 1E4
16A 125V/8A 250VAC



RL-25

RL-25	21	C	2	BK/BK	P1	...	(2)
Function	Cap type	Cap Printing	Cap colour / Housing	Terminals	Voltage		
00/00	Indicator lamp 4T	A Flat	0 None	WT White		1	110VAC
11/00	ON - OFF 4T/Indic. lamp	C Soft line	11	BK Black		2	220VAC
11/N/00	Indicator lamp / ON - OFF - 5T W/lamp	P W/PVC-Cap.	12	RE Red		3	12VDC
12/00	ON - ON 5T Indic. lamp	D W/Round len	13	OR Orange		4	24VDC
13/00	ON - OFF - ON 5T	I Indicator lamp	30	GR Green			
13/13	ON - OFF - ON 6T		253	BL Blue			
21	ON - OFF 4T		X Custom	GE Grey			
21/N	ON - OFF - 6T w/lamp						
21(ON)	(ON) - OFF 4T						
22	ON - ON 6T						
22(ON)	(ON) - OFF 6T						



(H): 10 (4)A 250VAC T125/55 1E4
 15A 152V 1/3HP
 125VAC T105

RL-3P

RL-3P	11	H	2	BK/BK	P4	...	(2)
-------	----	---	---	-------	----	-----	-----

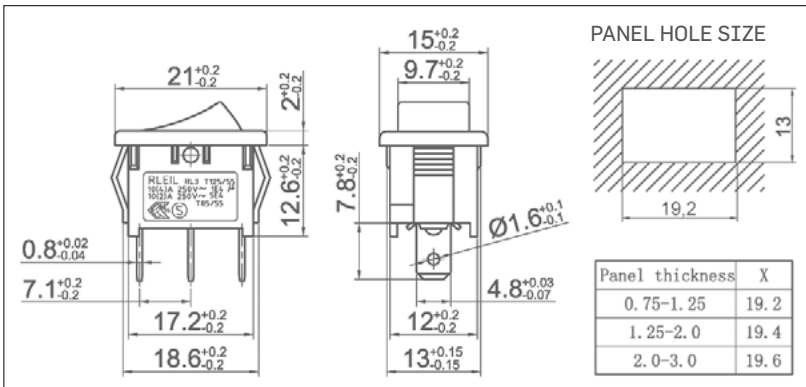
Function		Rating		Cap Printing		Cap colour / Housing		Terminals		Voltage	
----------	--	--------	--	--------------	--	----------------------	--	-----------	--	---------	--

11	ON - OFF 2P	H	16A 125 VAC 10A 250 VAC	0	None	WT	White		1	110VAC
12	ON - ON 3P			1		BK	Black		2	220VAC
13	ON - OFF - ON 3P			2		RE	Red		3	12VDC

				3		GE	Grey		4	24VDC
				4						
				5						
				6						
				7						
				8						
				X	Custom					



RL-31-11-G-2-RE/BK-P5



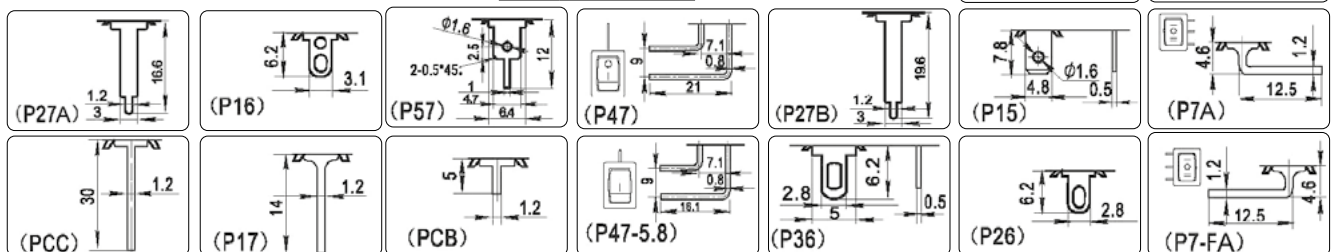
(G): 6 (2)A 250VAC T125/55 1E4
10A 125VAC
(H): 10 (4)A 250VAC T125/55 1E4
10 (2)A 250VAC T85/55 5E4
16A 125V/10A 250VAC 1/3HP
125-250VAC T105



RL-31

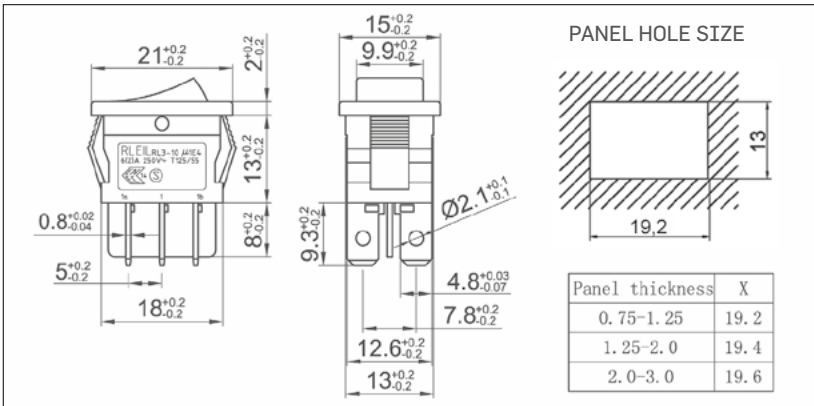
RL-31 11 G 2 BK/BK P5 ... 0

Function		Rating	Cap Printing		Cap colour / Housing		Terminals	Nothing	
00	Indicator lamp 2T	G 10A 125 VAC 6A 250 VAC	0	None	WT	White		0	Nothing
11	ON - OFF 2T		1		BK	Black		P	PVC/Cap.
11 (ON)	(ON) - OFF 2T	H 16A 125 VAC 10A 250 VAC	2		RE	Red			
11 (OFF)	ON - (OFF) 2T		3		OR	Orange			
12	ON - ON 3T		4		GR	Green			
12 (ON)	(ON) - ON 3T	5		BL	Blue				
13	ON - OFF - ON 3T	6		GE	Grey				
			8						
			X	Custom					





RL-310-23-G-358-BK/BK-P5-0



(G): 6 (2)A 250VAC T125/55 1E4
10A 125VAC T105



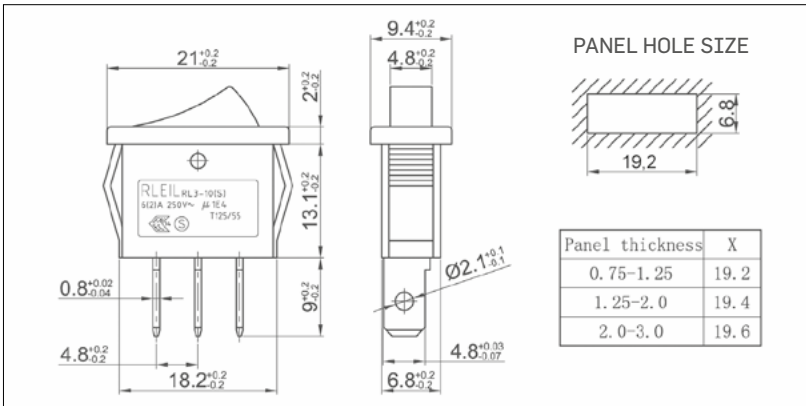
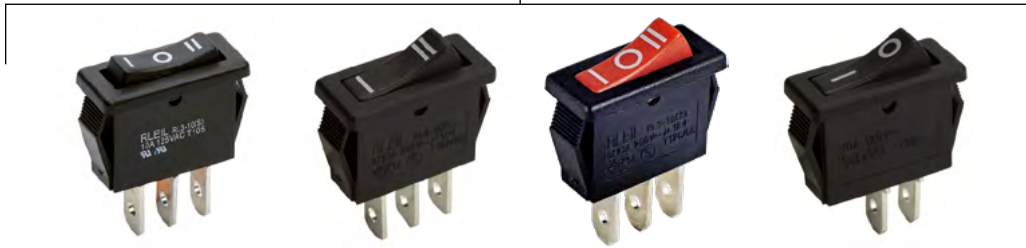
RL-310

RL-310 21 G 2 BK/BK P5 0

Function		Rating	Cap Printing		Cap colour / Housing		Terminals	Nothing	
11	ON - OFF 2T	G 10A 125 VAC 6A 250 VAC	0	None	WT	White		0	Nothing
12	ON - ON 3T		1		BK	Black			P
13(ON)	(ON) - OFF - ON 3T		2		RE	Red			
21	ON - OFF 4T		3		OR	Orange			
21(ON)	(ON) - OFF 4T		4		GR	Green			
21(OFF)	ON - (OFF) 4T		5		BL	Blue			
22	ON - ON 6T		8		GE	Grey			
22(ON)	(ON) - ON 6T		X	Custom					
23	ON - OFF - ON 6T								
23(ON)	(ON) - OFF - ON 6T								
23(2xON)	(ON) - OFF - (ON) 6T								



RL-310S-13-G-6-BK/BK-P5



(G): 6 (2)A 250VAC T125/55 1E4
10A 125VAC T105

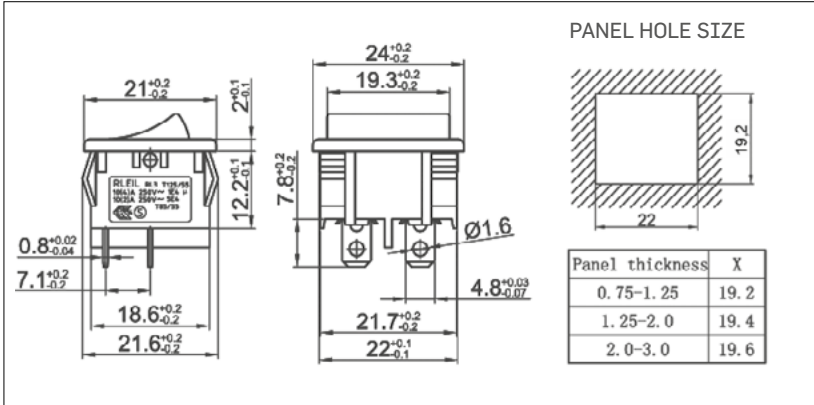


RL-310S

RL-310S		11	G	2	BK/BK	P5			
Function		Rating		Cap Printing		Cap colour / Housing	Terminals		
11	ON - OFF 2T	G	10A 125 VAC 6A 250 VAC	0	None	WT	White	<p>(P4)</p>	
12	ON - ON 3T			1		BK	Black		<p>(P5)</p>
13	ON - OFF - ON 3T			2		RE	Red		
				3		BL	Blue	<p>(P5 wh)</p>	
				4		GE	Grey		
				5					
				8					
				X	Custom				



RL-32-21-G-2-BK/BK-P5



(G): 6 (2)A 250VAC T125/55 1E4
10A 125VAC
(H): 10 (4)A 250VAC T125/55 1E4
10 (2)A 250VAC T85/55 5E4
16A 125V/10A 250VAC 1/3HP
125-250VAC T105

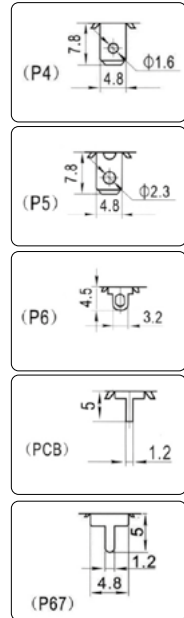


RL-32

RL-32 21 G 2 BK/BK P5 0 2

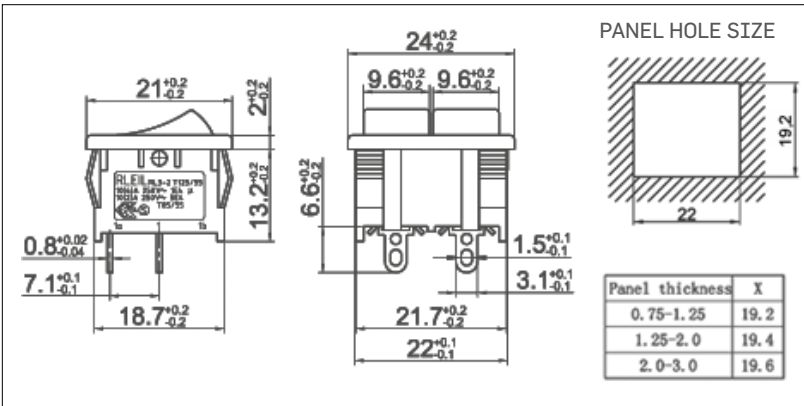
Function		Rating	Cap Printing	Cap colour / Housing	Terminals	Nothing	Voltage
00	Indicator lamp 2T	G 10A 125 VAC 6A 250 VAC	0	None	WT White	0 Nothing	1 110VAC
21	ON - OFF 4T		1		BK Black	P PVC/Cap.	2 220VAC
21/N	ON - OFF 4T w/lamp	H 16A 125 VAC 10A 250 VAC	2		RE Red		3 12VDC
21(ON)	(ON) - OFF 4T		3		BL Blue		4 24VDC
21(OFF)	ON - (OFF) 4T		4		GE Grey		
22	ON - ON 6T		5				
22/N	ON - ON 6T w/lamp		8				
22(ON)	(ON) - ON 6T		X	Custom			
23	ON - OFF-ON 6T						

NEW





RL-32(D)-11(ON)/11-43/2-BL-RE/BK-P4



(G): 6 (2)A 250VAC T125/55 1E4
10A 125VAC
(H): 10 (4)A 250VAC T125/55 1E4
10 (2)A 250VAC T85/55 5E4
16A 125VAC/10A 250VAC 1/3HP
125-250VAC T105

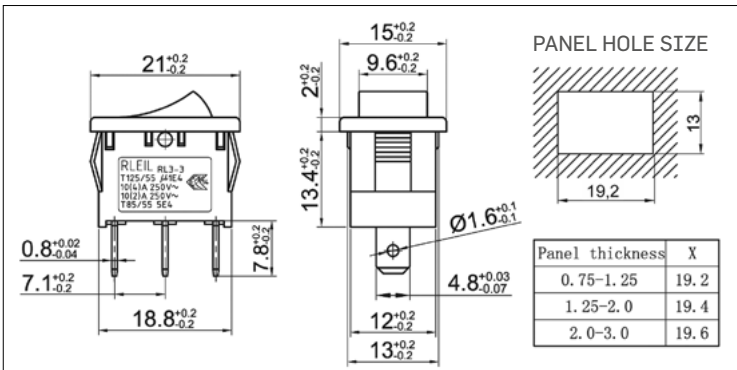


RL-32D

RL-32D		11/11	G	30	BK-BK/BK	P5	0	2
Function	Rating	Cap Printing	Cap colour / Housing	Terminals	Nothing	Voltage		
00/00	G 10A 125 VAC 6A 250 VAC	30	WT White	(P4)	0 Nothing	1 110VAC		
11/00		31	BK Black				2 220VAC	
11/11	H 16A 125 VAC 10A 250 VAC	32	RE Red	(P5)	P PVC/Cap.	3 12VDC		
11(ON)/11		33	OR Orange				4 24VDC	
11(OFF)/11		X	GR Green					
12/11			BL Blue					
12/12		GE Grey						
13/11								
13/12								
13/13								



RL-33-11/N-G-2-RE/BK-P4-0-2



(G): 6 (2)A 250VAC T125/55 1E4
10A 125VAC

(H): 10 (4)A 250VAC T125/55 1E4
10 (2)A 250VAC T85/55 5E4
16A 125VAC/10A 250VAC 1/3HP
125-250VAC T105^o



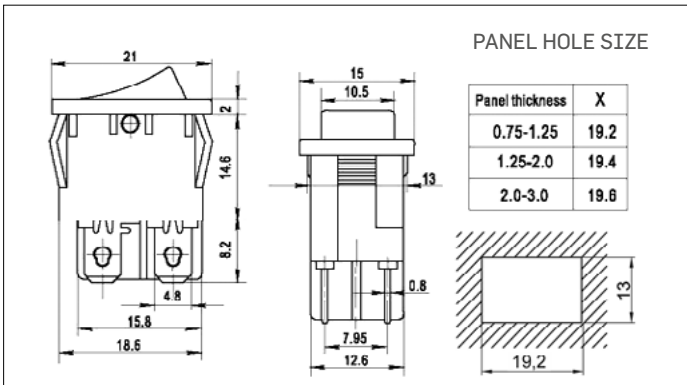
RL-33

RL-33 11/N G 2 RE/BK P16 0 (2)

Function		Rating	Cap Printing	Cap colour / Housing		Terminals	Nothing	Voltage	
11/N	ON - OFF 3T w/lamp	G 10A 125 VAC 6A 250 VAC	0	None	WT	White	O Nothing P PVC/Cap.	1	110VAC
			1		BK	Black		2	220VAC
		H 16A 125 VAC 10A 250 VAC	2		RE	Red		3	12VDC
			3		OR	Orange			
			4		GR	Green			
			5		BL	Blue			
			8		GE	Grey			
			X	Custom					



RL-34-21/N-G-2-RE/BK-P4



(G): 6 (2)A 250VAC T125/55 1E4
10A 125VAC

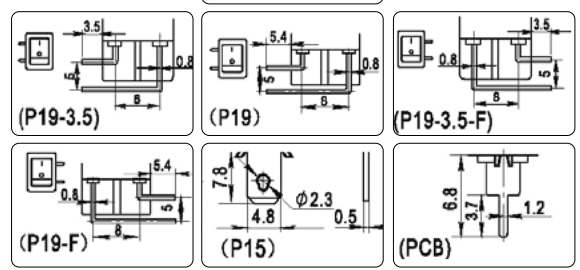
(H): 10 (4)A 250VAC T125/55 1E4
10 (2)A 250VAC T85/55 5E4
16A 125V/10A 250VAC 1/3HP
125-250VAC T105



RL-34

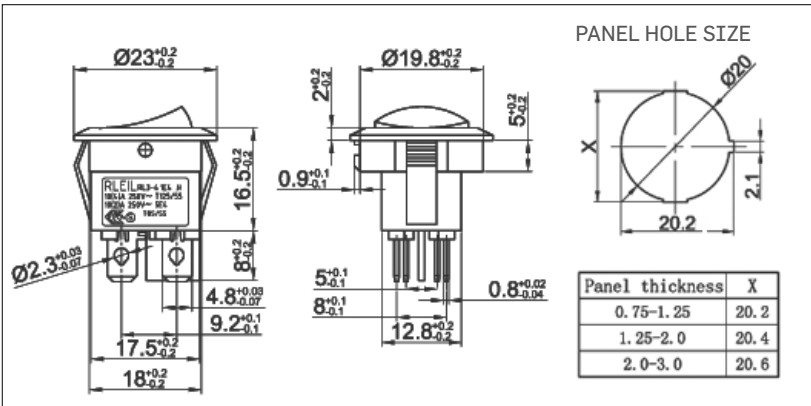
RL-34 21 G 2 BK/BK P8 0 ... 2

Function		Rating	Cap Printing	Cap colour / Housing		Terminals	Nothing	Voltage		
11	ON - OFF 2T	G 10A 125 VAC 6A 250 VAC	0	None	WT	White	0	Nothing	1	110VAC
11/N	ON - OFF 3T w/lamp		1		BK	Black	P	PVC/Cap.	2	220VAC
21	ON - OFF 4T	H 16A 125 VAC 10A 250 VAC	2		RE	Red	(P4)		3	12VDC
21/N	ON - OFF - 4T w/lamp		3		OR	Orange			(P8)	4
			4		GR	Green	(P18)			
			5		BL	Blue				
		8		GE	Grey					
		X	Custom							





RL-34R-21-G-2-BK/BK-P8



RL

(G): 6 (2)A 250VAC T125/55 1E4
10A 125VAC

(H): 10 (4)A 250VAC T125/55 1E4
10 (2)A 250VAC T85/55 5E4
16A 125V/10A 250VAC 1/3HP
125-250VAC T105



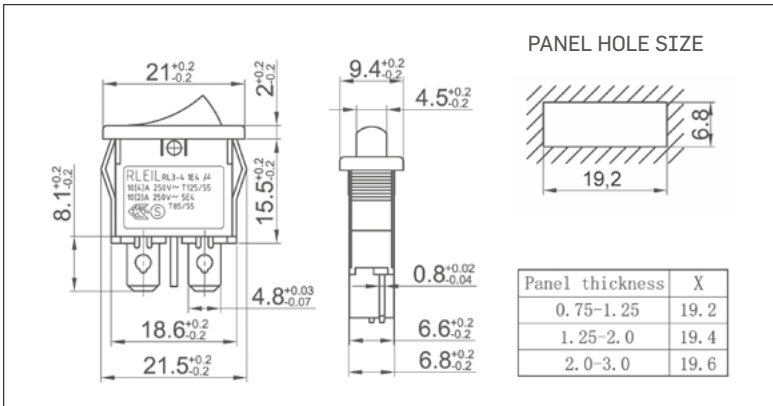
RL-34R

RL-34R 21 G 2 BK/BK P8 0 ... (2)

Function		Rating	Cap Printing	Cap colour / Housing		Terminals	Nothing	Voltage	
11	ON - OFF 2T	G 10A 125 VAC 6A 250 VAC	0	None	WT	White	0 Nothing P PVC/Cap.	1	110VAC
11/N	ON - OFF 3T w/lamp		1		BK	Black		2	220VAC
21	ON - OFF 4T	H 16A 125 VAC 10A 250 VAC	2		RE	Red	3 4	3	12VDC
21/N	ON - OFF - 4T w/lamp		3		OR	Orange		4	24VDC
21/N-D	ON - OFF - 4T w/round lens		4		GR	Green		 	
			5		BL	Blue			
			8		GE	Grey			
			X	Custom					



RL-34S-11-G-2-WT/BK-P8



(G): 6 (2)A 250VAC T125/55 1E4
10A 125VAC

(H): 10 (4)A 250VAC T125/55 1E4
16A 125V/10A 250VAC 1/3HP
125-250VAC T105

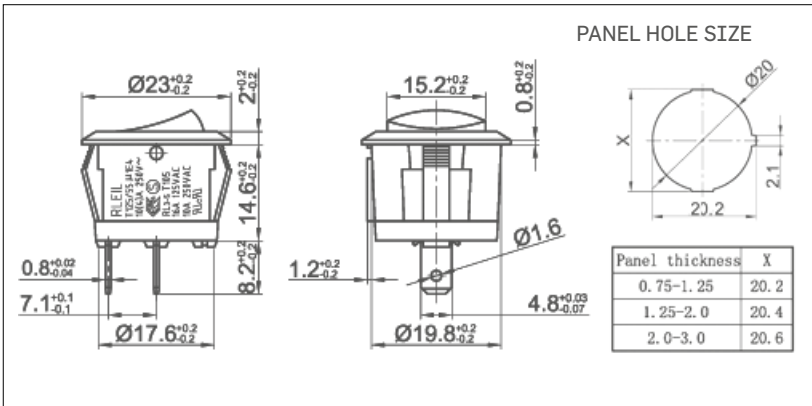


RL-34S

RL-34S		11	G	2	BK/BK	P8		
Function		Rating		Cap Printing		Cap colour / Housing		Terminals
11	ON - OFF 2T	G	10A 125 VAC 6A 250 VAC	0	None	WT	White	
11(ON)	(ON) - OFF 2T			1		BK	Black	
		H	16A 125 VAC 10A 250 VAC	2		RE	Red	
				3		OR	Orange	
				4		GR	Green	
				5		BL	Blue	
				8		GE	Grey	
				X	Custom			



RL-35-13-G-115-BK/BK-P5



RU RU

(G): 6 (2)A 250VAC T125/55 1E4
10A 125VAC

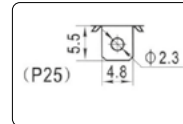
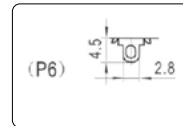
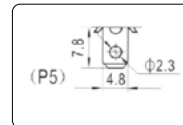
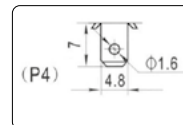
(H): 10 (4)A 250VAC T125/55 1E4
10 (2)A 250VAC T85/55 5E4
12 (8)A 250VAC T85/55 1E4
16A 125V/10A 250VAC 1/3HP
125-250VAC T105



RL-35

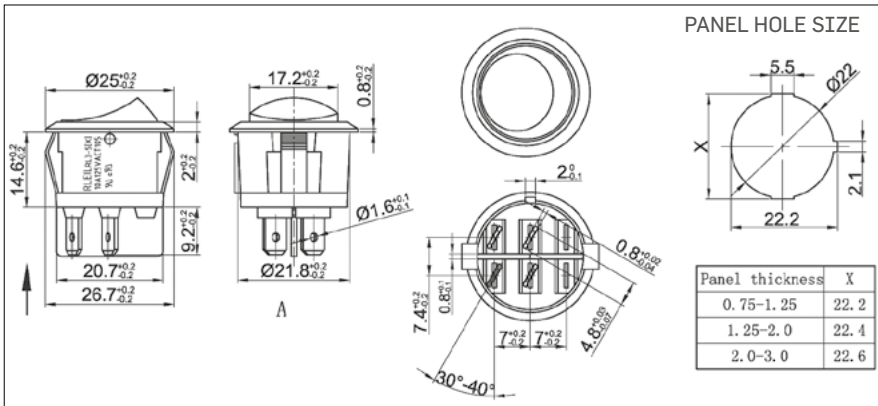
RL-35 11 G 2 BK/BK P5 0 ... (2)

Function		Rating	Cap Printing	Cap colour / Housing	Terminals	Nothing	Voltage
00	Indicator lamp 2T	G 10A 125 VAC 6A 250 VAC	0	None	WT White	0 Nothing P PVC/Cap.	1 110VAC
11	ON - OFF 2T		1		BK Black		2 220VAC
11/N	ON - OFF 3T w/lamp	H 16A 125 VAC 10A 250 VAC	2		RE Red		3 12VDC
11 (ON)	(ON) - OFF 2T		3		OR Orange		4 24VDC
11 (OFF)	ON - (OFF) 2T		4		GR Green		
11/N-D	ON - OFF 3T w/round lens		5		BL Blue		
12	ON - ON 3T		8		GE Grey		
13	ON - OFF - ON 3T		X	Custom			
13 (ON)	(ON) - OFF - ON 3T						





RL-35X-23-G-6-BK/BK-P4



(G): 6 (2)A 250VAC T125/55 1E4
10A 125VAC
(H): 12 (8)A 250VAC T125/55 1E4
15A 125V/10A 250VAC 1/3HP
125-250VAC T105



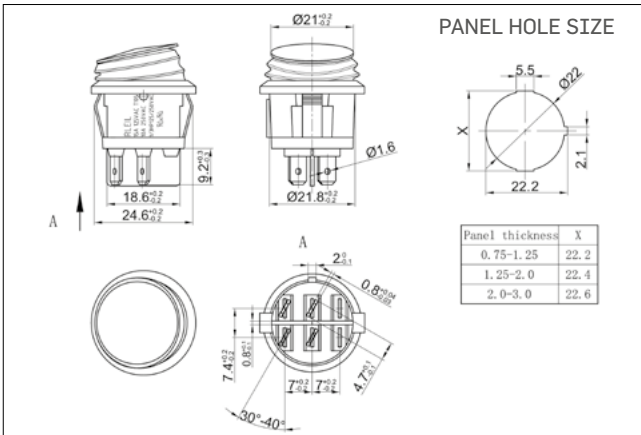
RL-35X

RL-35X 21 G 2 BK/BK P4 0 ... (2)

Function		Rating	Cap Printing	Cap colour / Housing		Terminals	Nothing	Voltage		
11	ON-OFF 2T	G 10A 125 VAC 6A 250 VAC	0	None	WT	White	0	Nothing	1	110VAC
12	ON-ON 3T		1		BK	Black	P	PVC/Cap.	2	220VAC
13	ON-OFF-ON 3T	H 16A 125 VAC 10A 250 VAC	2		RE	Red			3	12VDC
13(ON)	(ON)-OFF-ON 3T		3		OR	Orange			4	24VDC
21	ON - OFF 4T		4		GR	Green				
21/N	ON - OFF 4T w/lamp		5		BL	Blue				
22	ON - ON 6T		8		GE	Grey				
22/N	ON-ON 6T w/lamp		X	Custom						
23	ON - OFF - ON 6T									
23(ON)	(ON)-OFF-ON 6T									



RL-35X-P-21/N-G-2-RE/BK-P4-2



(G): 6 (2)A 250VAC T125/55 1E4
10A 125VAC

(H): 12 (8)A 250VAC T125/55 1E4
15A 125V/10A 250VAC 1/3HP
125-250VAC T105



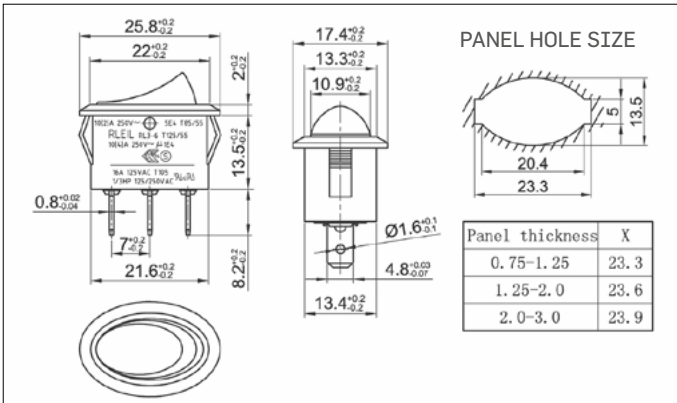
RL-35X-P

RL-35X-P 21 G 2 BK/BK P4 ... (2)

Function		Rating	Cap Printing		Cap colour / Housing		Terminals	Voltage	
11	ON-OFF 2T	G 10A 125 VAC 6A 250 VAC	0	None	WT	White		1	110VAC
12	ON-ON 3T		1		BK	Black		2	220VAC
13	ON-OFF-ON 3T	H 16A 125 VAC 10A 250 VAC	2		RE	Red		3	12VDC
13(ON)	(ON)-OFF-ON 3T		3		OR	Orange		4	24VDC
21	ON - OFF 4T		4		GR	Green			
21/N	ON - OFF - 4T w/lamp		5		BL	Blue			
22	ON - ON 6T		8		GE	Grey			
22/N	ON-ON 6T w/lamp		X	Custom					
23	ON - OFF - ON 6T								
23(ON)	(ON)-OFF-ON 6T								



RL-36-11-G-0-BK/BK-P5



(G): 6 (2)A 250VAC T125/55 1E4
10A 125VAC

(H): 10 (4)A 250VAC T125/55 1E4
10 (2)A 250VAC T85/55 5E4
16A 125V/10A 250VAC 1/3HP
125-250VAC T105

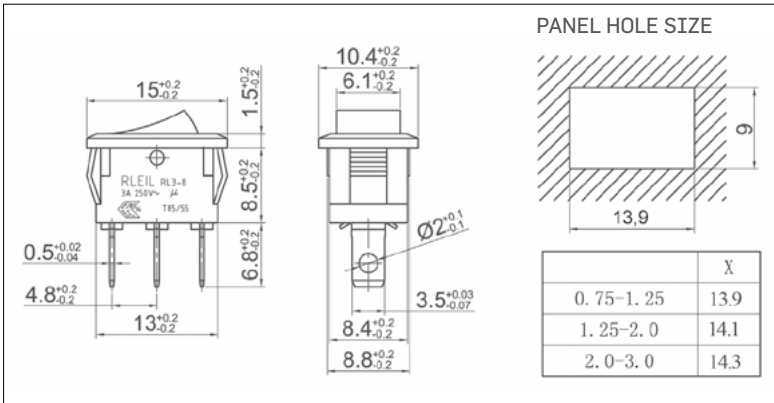


RL-36

Function		Rating	Cap Printing	Cap colour / Housing	Terminals	Voltage
11	ON - OFF 2T	G 10A 125 VAC 6A 250 VAC	0	None	(P4)	1 110VAC 2 220VAC
11/N	ON - OFF w/lamp 3T		1			
11(ON)	(ON) - OFF 2T	H 16A 125 VAC 10A 250 VAC	2		(P5)	3 12VDC 4 24VDC
12	ON - ON 3T		3			
13	ON - OFF - ON 3T		4			
			5			
			8		(P6)	
			X	Custom	(P25)	



RL-38-11-G-1-RE/BK-P55



(G): 3 A 250VAC T85/55 1E4
6 A 125VAC

Miniature
Switch

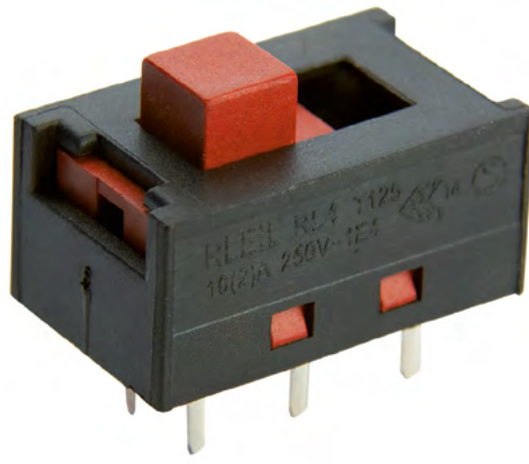
m2b
rleil
europe

RL-38

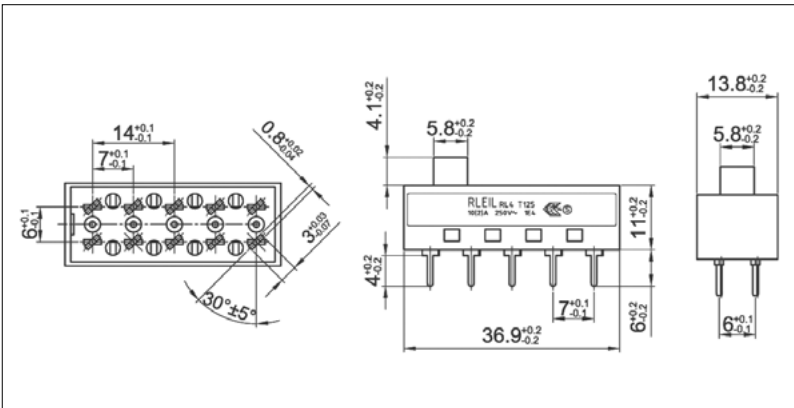
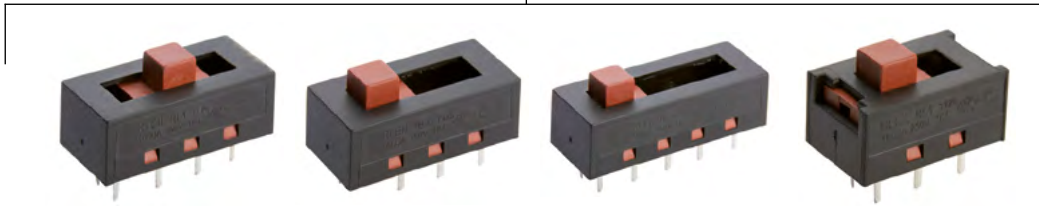
RL-38 11 G 1 BK/BK P55

Function		Rating		Cap Printing		Cap colour / Housing		Terminals
11	ON - OFF 2T	G	10A 125 VAC 6A 250 VAC	0	None	WT	White	 (P55)
12	ON - ON 3T			1		BK	Black	
				2		RE	Red	 (P54)
				3		OR	Orange	
				4		GR	Green	
				5		BL	Blue	
				8		GE	Grey	
				X	Custom			

Slide switches



RL-41-22-BR/BK-PCB-F2



10(2)A 250VAC T125 1E4
13A 125V/6.5A 250V T105



RL-41

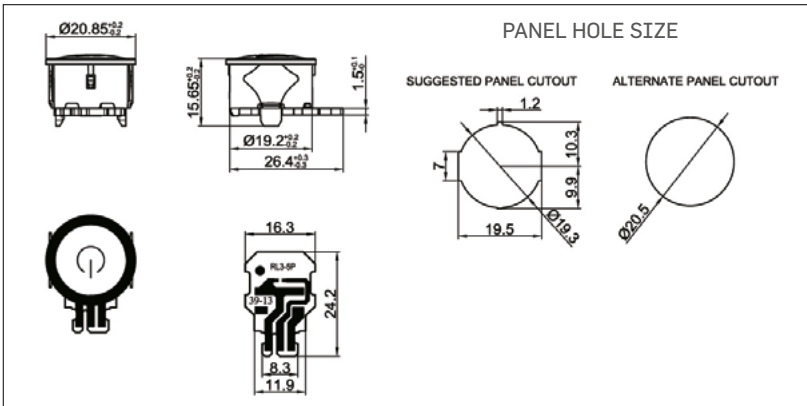
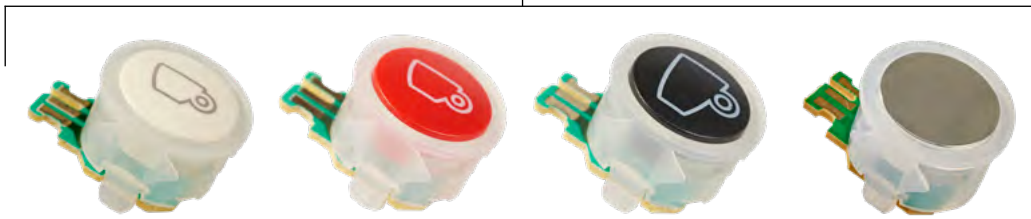
RL-41	22	BR/BK	P10	F1	
Function	Cap colour / Housing	Terminals	Knob type		
12	BK Black	 (P10) 2.8 7.7	F1	 5.8 8.6	
13	BR Brown				 (P11) 3 6
14					
21(ON)		 (PCB) 6.2 1.3	F3	 5.8 11	
22					
23					
24					

Push switches



NEW

RL-35P-11(ON)/N-484-BK/WT-PCB



Rating: 3 VDC Led
Electrical Life: 100k Cycles min.

m2b
reil
europe

RL-35P

RL-35P 11(ON)/N 513 GE/WT PCB

Function

Cap Printing

Cap colour / Housing

11 (ON)/N (ON) - OFF w/lamp

0 None

BK Black

370

GE Grey

484

CHR Chromed

499

500

513

519

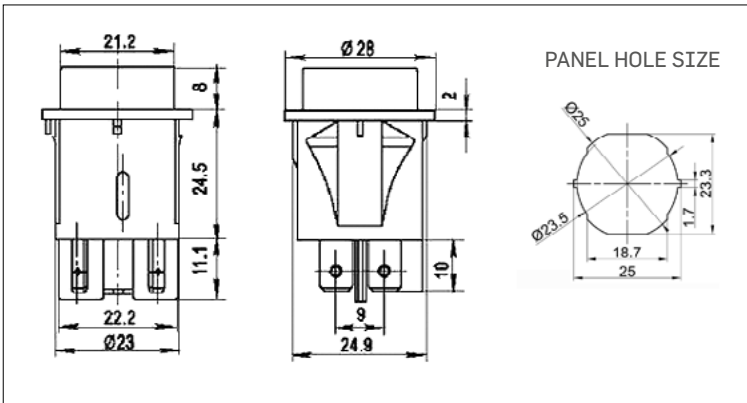
X Custom



You can choose the led color that you prefer, and will see it illuminated by round circle of through a customized laser serigraphy.



RL-51-21/N-0-BL/BK-P1-2

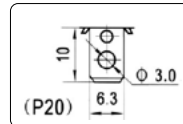
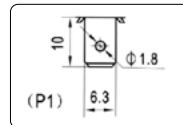


16 (6)A 250VAC T125/55 1E4
 10 (4)A 250VAC T125/55 5E4
 3/4HP 250VAC
 1/2HP 125V
 16A 125 VAC T105



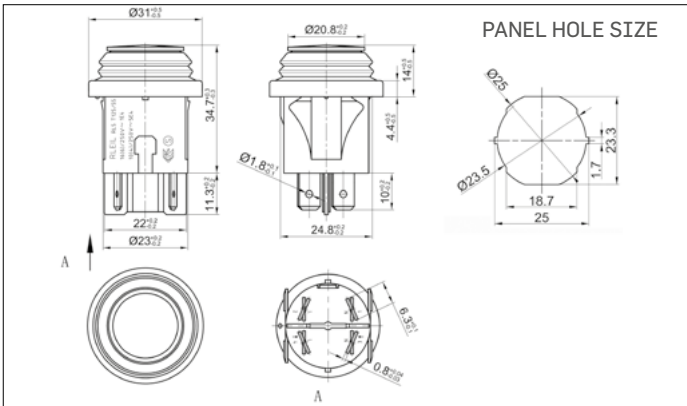
RL-51

RL-51	21/N	0	0	RE/BK	P1	...	(2)		
Function	Cap Type	Cap Printing	Cap colour / Housing	Terminals	Voltage				
00	Indicator lamp 2T	0	Nothing	0	None	WT	White	1	110VAC
11	ON - OFF 2T	P	PVC/Cap.	333		BK	Black	2	220VAC
11/N	ON-OFF w/lamp 3T NEW	R		334		RE	Red	3	12VDC
11(ON)	(ON) - OFF 2T			395		OR	Orange	4	24VDC
11+ILV	ON - OFF 2T + Ind. lamp 2T NEW	C		X	Custom	GR	Green		
21	ON - OFF 4T					BL	Blue		
21/N	ON - OFF - 4T w/lamp					GE	Grey		
21(ON)	(ON) - OFF 4T								
21(ON)/N	(ON) - OFF 4T w/lamp								





RL-51P-21/N-163(laser)-BK/BK-P1(WT-Led220V)

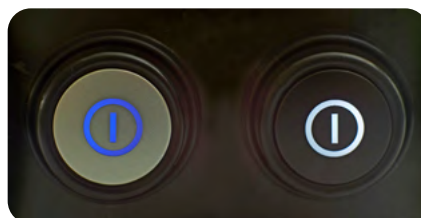
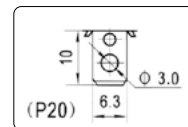
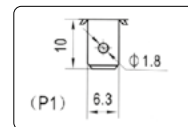


16 (6)A 250VAC T125/55 1E4
10 (4)A 250VAC T125/55 5E4
3/4HP 250VAC
1/2HP 125V
16A 125 VAC T105



RL-51P

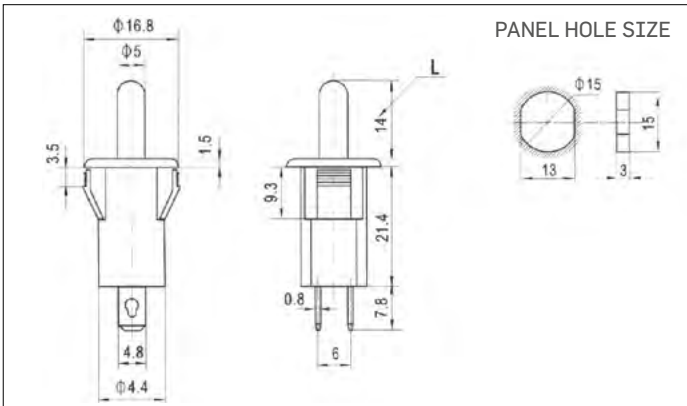
RL-51P	21/N	0	RE/BK	P1	(2)		
Function	Cap Printing	Cap colour / Housing	Terminals	Voltage			
00	Indicator lamp 2T	0	None	WT	White	1	110VAC
11	ON - OFF 2T	562		BK	Black	2	220VAC
11/N	ON-OFF w/lamp 3T	566		RE	Red	3	12VDC
11(ON)	(ON) - OFF 2T	567		OR	Orange	4	24VDC
11+ILV	ON-OFF 2T + Ind. lamp 2T NEW	X	Custom	GR	Green		
21	ON - OFF 4T			BL	Blue		
21/N	ON - OFF - 4T w/lamp			GE	Grey		
21(ON)	(ON) - OFF 4T						
21(ON)N	(ON) - OFF 4T w/lamp						



You can choose the led or neon color you prefer, and will see it illuminated by through a customized laser serigraphy.



RL-52-10(ON)-H-BK-P8-L1



(G): 10A 125VAC T105/55 10E3
6A 250VAC T105/55 10E3
10A 125V T85

(H): 16A 125VAC T105/55 10E3
10A 250VAC T105/55 10E3
16A 125V/10A250V T85

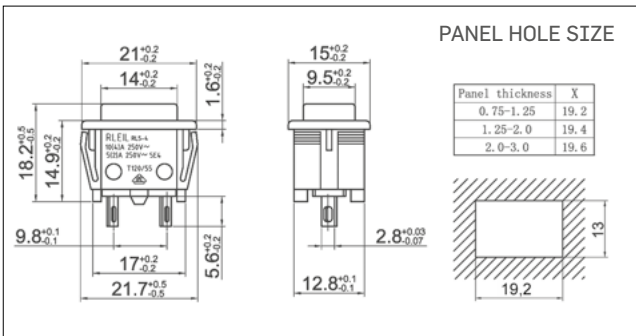


RL-52

RL-52		10(ON)	H	BK		P8	L1	L		
Function		Rating		Cap colour / Housing		Terminals	Push lenth		Operating Force	
10(ON)	(ON) - OFF 2T	G	10A 125 VAC 6A 250 VAC	WT	White		L1	10 mm.	L	100 ± 30 gf
				BK	Black		L2	12 mm.	N	250 ± 50 gf
H	16A 125 VAC 10A 250 VAC	H	16A 125 VAC 10A 250 VAC				L3	14 mm.	Y	500 ± 100 gf
							L4	16 mm.		



RL-54-10(ON)-A-164-H-WT/BK-P26



(G): 6A 125/250VAC T85 1/4HP
 5(2)A 250VAC T120/55 5E4
 (H): 10(4)A 250VAC T120/55 1E4

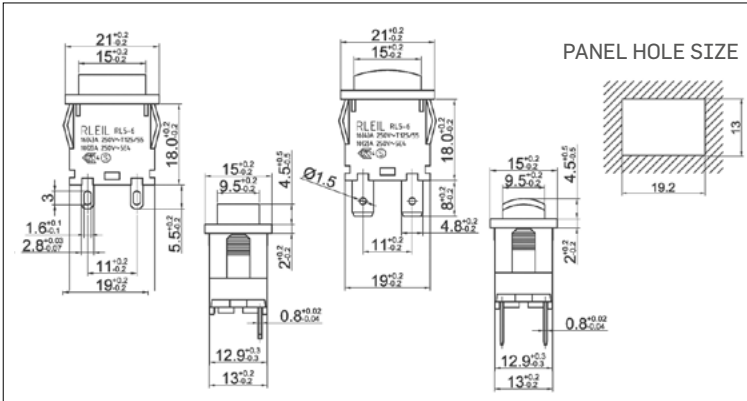


RL-54

RL-54		10(ON)		A		O		H		WT/BK		P26	
Function		Cap Type		Cap Printing		Rating		Cap colour / Housing		Terminals			
10(ON)	(ON) - OFF 2T	A	Flat	O	None	G	5(2)A 250 VAC	WT	White	<p>(P26)</p>			
		W		X	Custom	H	10(4)A 250 VAC	BK	Black				
								RE	Red	<p>(P30)</p>			
								BL	Blue				
								GE	Grey				



RL-56-21/N-R-0-RE/BK-P4-2



15A 125V

16 (4) A 250VAC T125/55 1E4
10 (2) A 250VAC 5E4

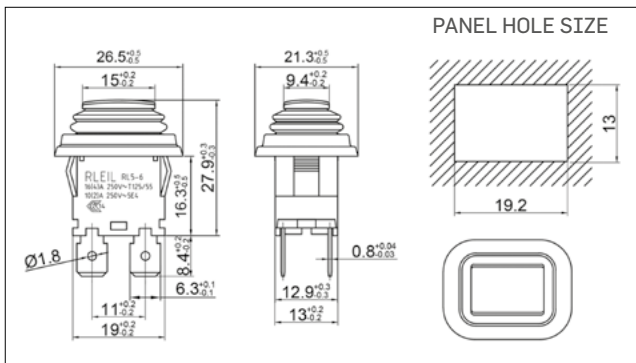


RL-56

RL-56		21/N		A		O		RE/BK		P4		0		(2)	
Function		Cap Type		Cap Printing		Cap colour / Housing		Terminals		Nothing		Voltage			
11	ON - OFF 2T	A	Flat	310		WT	White	 (P1) 6.3	0 Nothing P PVC/Cap.	1	110VAC				
11(ON)	(ON) - OFF 2T	R	Round	378		BK	Black			2	220VAC				
21	ON - OFF 4T	S		547		RE	Red	 (P4) 4.8		3	12VDC				
21/N	ON - OFF 4T w/lamp	X	Custom	X	Custom	OR	Orange			4	24VDC				
21(ON)	(ON) - OFF 4T					GR	Green	 (P6) 2.8							
21(ON)/N	(ON) - OFF 4T w/lamp					BL	Blue								
						GE	Grey								



RL-56P-21/N-A-163-RE/BK-P1-0-2



15A 125V

15A 125V

16 (4) A 250VAC T125/55 1E4
10 (2) A 250VAC 5E4



RL-56P

RL-56P 21/N A 0 RE/BK P4 0 (2)

Function		Cap Type		Cap Printing	Cap colour / Housing	Terminals	Nothing	Voltage	
11	ON - OFF 2T	A	Flat	310	WT White		0	1	110VAC
11(ON)	(ON) - OFF 2T			378	BK Black			2	220VAC
21	ON - OFF 4T			547	RE Red			3	12VDC
21/N	ON - OFF 4T w/lamp			X	OR Orange			4	24VDC
21(ON)	(ON) - OFF 4T				GR Green				
21(ON)/N	(ON) - OFF 4T w/lamp				BL Blue				
					GE Grey				



RL-56R-21/N-A-163-BL/BK-P4-0-2



PANEL HOLE SIZE

Panel thickness X	Panel Hole Size
0.75-1.25	20.2
1.25-2.0	20.4
2.0-3.0	20.6

MATERIALS

- HOUSING: Nylon #66 UL 94V-2
- ROCKER: NYLON #66 UL 94V-2
- TERMINAL: Copper Alloy Ag plated
- CONTACTOR: AgSn0.1In0.1(10)/Cu



15A 125V
10(2)A 250VAC T125/55 5E4



RL-56R

RL-56R 21/N A 0 RE/BK P4 0 (2)

Function		Cap Type		Cap Printing	Cap colour / Housing		Terminals	Nothing		Voltage		
11	ON - OFF 2T	A	Flat	310		WT	White		0	Nothing	1	110VAC
11(ON)	(ON) - OFF 2T			378	TEST	BK	Black		2	220VAC		
21	ON - OFF 4T			547	START	RE	Red				3	12VDC
21/N	ON - OFF 4T w/lamp			163		OR	Orange		4	24VDC		
21(ON)	(ON) - OFF 4T			X	Custom	GR	Green					
21(ON)/N	(ON) - OFF 4T w/lamp					BL	Blue					
						GE	Grey					



RL-56RP-21/N-A-163-BL/BK-P4-0-2



25.8^{±0.2}
Ø17.2^{±0.2}
13.8^{±0.2}
9.2^{±0.2}
4.7^{±0.1}
9.2^{±0.2}
23.7^{±0.2}

28.2^{±0.2}
0.8^{±0.04}
9.6^{±0.2}
15.5^{±0.2}
20^{±0.2}

PANEL HOLE SIZE

Panel thickness	X
0.75-1.25	20.2
1.25-2.0	20.4
2.0-3.0	20.6

20.8
21.1

MATERIALS

- HOUSING: Nylon #66 UL 94V-2
- ROCKER: NYLON #66 UL 94V-2
- TERMINAL: Copper Alloy Ag plated
- CONTACTOR: AgSe0.1n0.1(10)/Cu



15A 125V

10(2)A 250VAC T125/55 5E4

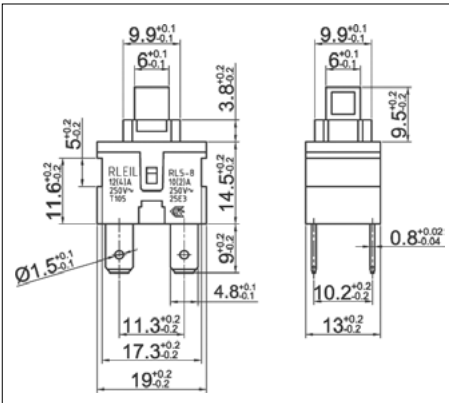


RL-56RP

RL-56R	21/N	A	0	RE/BK	P4	0	(2)	
Function		Cap Type		Cap Printing	Cap colour / Housing	Terminals	Nothing	Voltage
11	ON - OFF 2T	A	Flat	310	WT White		0 Nothing	1 110VAC
11(ON)	(ON) - OFF 2T			378	BK Black			2 220VAC
21	ON - OFF 4T			547	RE Red			3 12VDC
21/N	ON - OFF 4T w/lamp			163	OR Orange		4 24VDC	
21(ON)	(ON) - OFF 4T			X Custom	GR Green			
21(ON)/N	(ON) - OFF 4T w/lamp				BL Blue			
					GE Grey			



RL-58-21-BR/BR-P4-A1



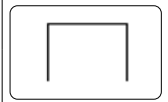
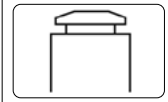
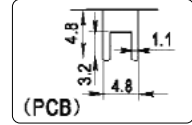
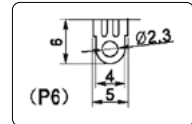
12 (4) A 250VAC T105 1E4
10(2) A 250VAC T105 25E3



RL-58

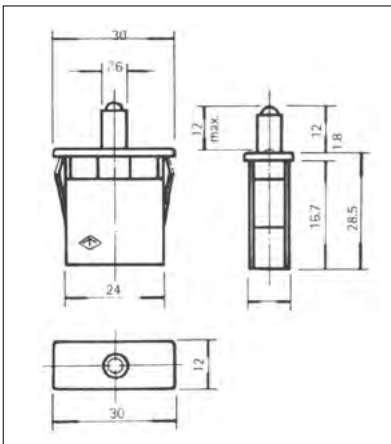
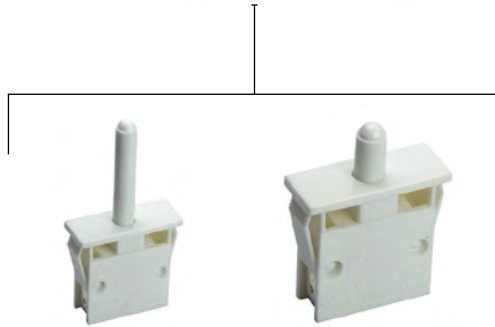
RL-58 21 RE/BK P4 A1

Function		Cap colour / Housing		Terminals	Cap Type
11	ON - OFF 2T	WT	White		A1
11 (ON)	(ON) - OFF 2T	BK	Black		
21	ON - OFF 4T	BR	Brown		A2
21 (ON)	(ON) - OFF 4T				





IP-190-11(OFF)-WT-P4-A



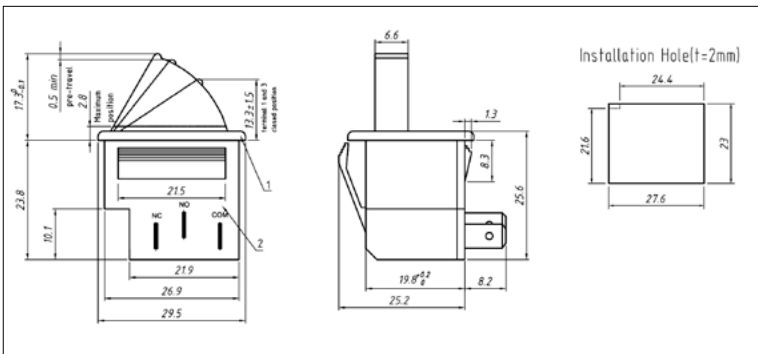
Ask for other lever possibilities.
The lever can be personalized by
the customer.

250VAC 0.25A T85 5E4

m2b
rleil
europe

IP-190

IP-190		11(OFF)		WT/WT		P4		A	
Function		Cap colour / Housing		Terminals		Lever length			
11(OFF)	ON - (OFF) 2T	WT	White			A	12 mm		
						B	30 mm		



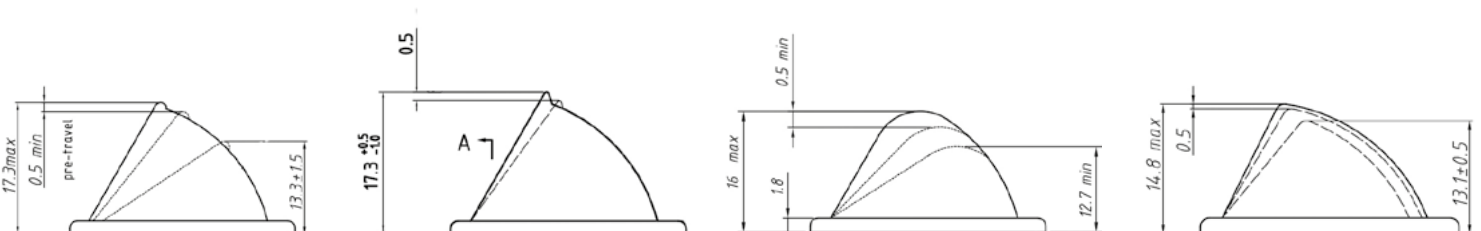
Rating: 2.5A 250VAC
5A 125VAC
Circuit: (ON) – ON SPDT 3P
Contact resistance: ≤ 50m
Insulation resistance: ≤ 100m
Dielectric strength: 1.500V AC/1min
Electrical life: 100.000 cycles at full load
Operation force:
Operation temperature range: -15 ~+ 85°C
Relative Humidity: < 90% (+20°C)

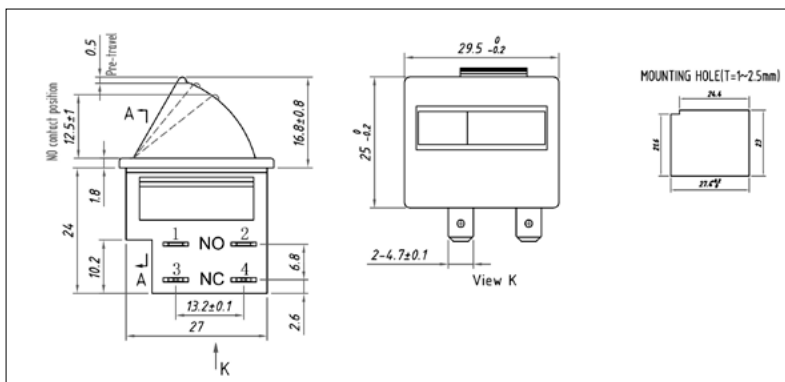
HC-050K.4 2.5A 250V 50E3 T85
5A 125V/2.5A 250V
HC-050K.4M 2.5A 250V 50E3 T85
5A 125V/2.5A 250V



HC-050k.4

HC-050k.4	11(ON)	WT	1
Function		Cap colour / Housing	Terminal
11(ON)	(ON) - OFF 2T	WT White	1 4,8x0,5
11(OFF)	ON - (OFF) 2T	BK Black	
12(ON)	(ON) - ON 3T		



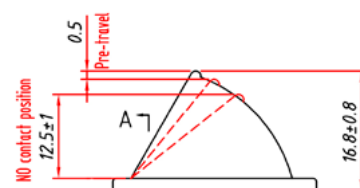


Rating: 2.5A 250VAC
5A 125VAC
Circuit: (ON) - ON DPST 4P
Contact resistance: $\leq 50m$
Insulation resistance: $\leq 100m$
Dielectric strength: 1.500V AC/1min
Electrical life: 50.000 cycles at full load
Operation force:
Operation temperature range: $-15 \sim +85^{\circ}C$
Relative Humidity: $< 90\% (+20^{\circ}C)$



HC-050k.4M

HC-050k.4M		11(ON)	WT	1
Function		Cap colour / Housing		Terminal
22(ON)	(ON) - ON 4T	WT	White	2x4,8x0,5
		BK	Black	2x2,8x0,5



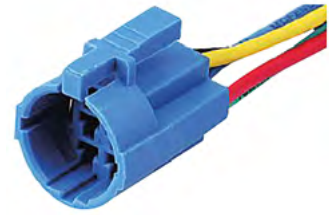
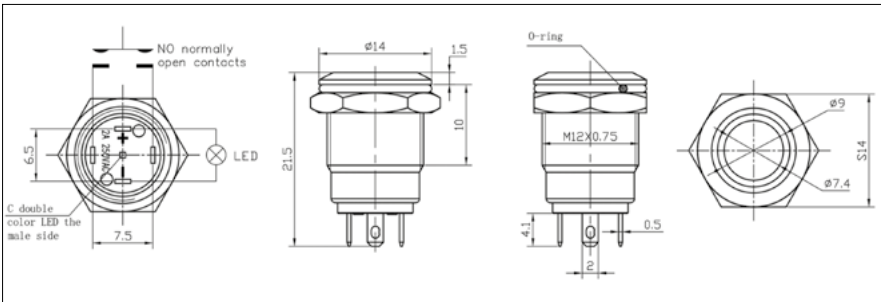
Metal switches



ZLQ(12)A-P10F/ER12/N



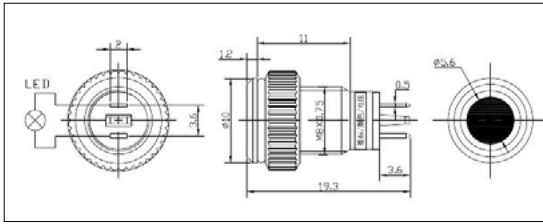
ZLQ Connector



ZLQ(Ø)A

ZLQ(12)A	P	11(ON)	F	D	RE	S
Ø	Head shape	Function	Operation Type		Colour LED	Shell material
12	p Flat circular bevel shell	10 1NO	F	Self compound	WT White	S Stainless steel
16	G Gaoping round slant shell	11 1NO 1NC	Z	Self lock type	RE Red	ST Stainless steel titanium gold
19		22 2NO 2NC	D		OR Orange	N Brass plating
22			Luminiscence Type		GR Green	A Aluminium alloy oxidation
25			D	Single point	BL Blue	
30			E	Ring	YE Yellow	
40			DY	Power source	P Purple	
			E+DY	Ring + Power symbol		
						48VDC

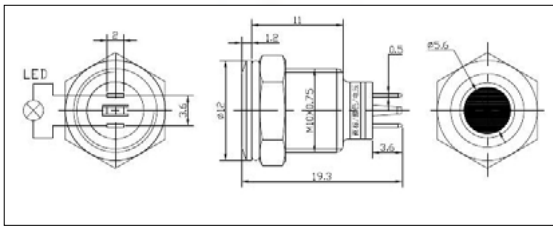
ZLQ8A-P/C▲▼/N



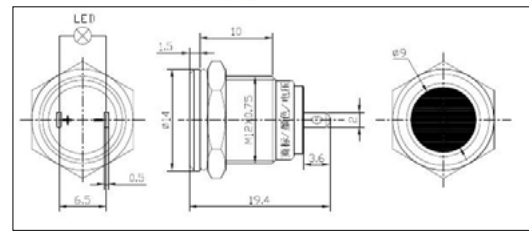
ZLQ Connector



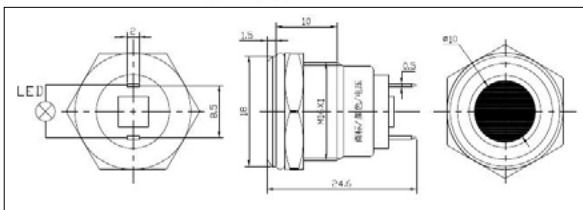
ZLQ10A-P/C▲▼/N



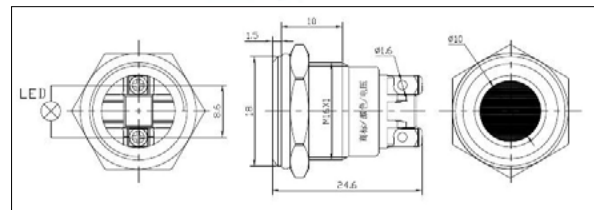
ZLQ12C-P/C▲▼/N



ZLQ16D-P/C▲▼/N/J



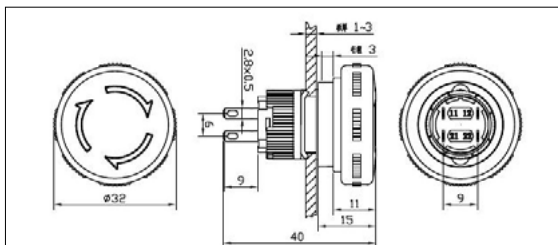
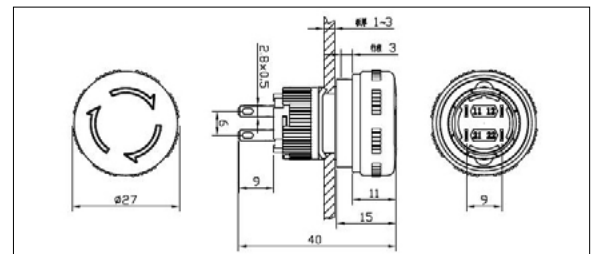
ZLQ16D-P/C▲▼/N/J



METAL Indicator lamp

Model description

∅ Mounting hole	Head shape	Luminescence type	▲ Luminous color	▼ Lamp voltage	⊙ Shell material
8 10 12 16 19	P Flat circular bevel shell	C The whole circle	R G B Y W O P	6 12 24 36 48 110 220	S Stainless steel N Brass plating

ZLQ16A-M11Z/PC (32)

ZLQ16A-M11Z/PC (27)


METAL Emergency push switch

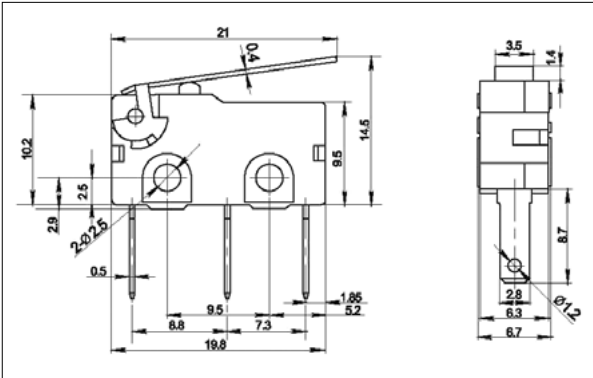
Model description

Ø Mounting hole	Serial number	Diameter	Switch combination	Operation Type	Material
16	A	27 mm. 32 mm.	2NO-2O NO is normally open contact.	Z Self lock type	PC

Micro switches



RL-62-E-H-BK-P41-0-N



- (G): 6A 125V/250VAC
6A 250VAC T85 1E4
- (H): 10A 125V/6A 250VAC T85 1/4HP 125VAC
10A 250VAC T85 1E4

Mechanical Life: 1E6 cycles
In-house test

(* Switch can carry MP (mushroom push) lever type



RL-62

RL-62		D	G	BK	P31	O	K				
Function		Rating		Cap colour / Housing		Terminals		Lever Type		Operating Force	
D	(ON)-OFF 2P	G	6A 125/250 VAC 6A 250 VAC	WT	White		0	Not Applicable	K	60 ± 15 gf	
E	ON-(OFF) 2P			BK	Black		1		L	100 ± 20 gf	
F	(ON)-ON 3P	H	10A 125 VAC 10A 250 VAC	GE	Grey			2		M	150 ± 30 gf
							3		N	250 ± 50 gf	
							4				
							5				
							...				



MT8-S01D200A06



MT8

MT8 B		1	2	2	0				
Terminal Style	Lever Type	Construction	Operating Force at pin Plunger, Max		Circuit Code				
S	Solder terminals	00	No lever Pin plunger	D	Dust proof-IP00 Terminal type	150	150gf Max. Only suitable for the L1 type of load	A	SPDT
D	110#Fast connection terminals 2.8x0.5mm	01	Straight lever 17.7mm	W	Water proof-IP67 With lead wires	200	200gf Max.	B	SPST- NC
P	0.6mm Wide straight PCB terminals	02	Straight lever 19.7mm			300	300gf Max.	C	SPST- NO
H	1.3mm Wide straight PCB terminals	03	Long straight lever 25.8mm			400	400gf Max. Note: for the type 10 of the load, only this OF is recommended.		
L	Left side PCB terminals	06	Simulated roller 18.9mm			...	Other		
R	Right side PCB terminals	07	Inverted triangle lever						
B	Wire leads to bottom	08	Roller lever 15.7mm						
E	Wires leads to side (plunger side)	10	Longest straight lever 56.2mm						
F	Wires leads to side (Opposite to plunger side)	...	Other						



0.1A 125/250VAC 48VDC u 40T120 5E4; 3A 125/250VAC 48VDC 5E4 UL&ENEC&CQC;
 6(3)A 125/250VAC 1E4 UL&ENEC&CQC; 6A 36VDC 1E4 u 40T120 UL&ENEC&CQC;
 10(3)A 125/250VAC u 40T120 1E4 UL&ENEC&CQC



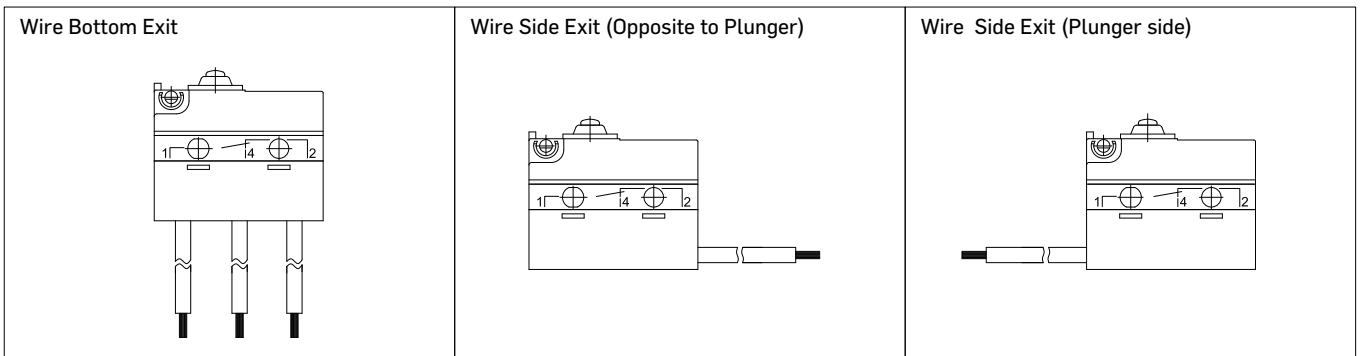
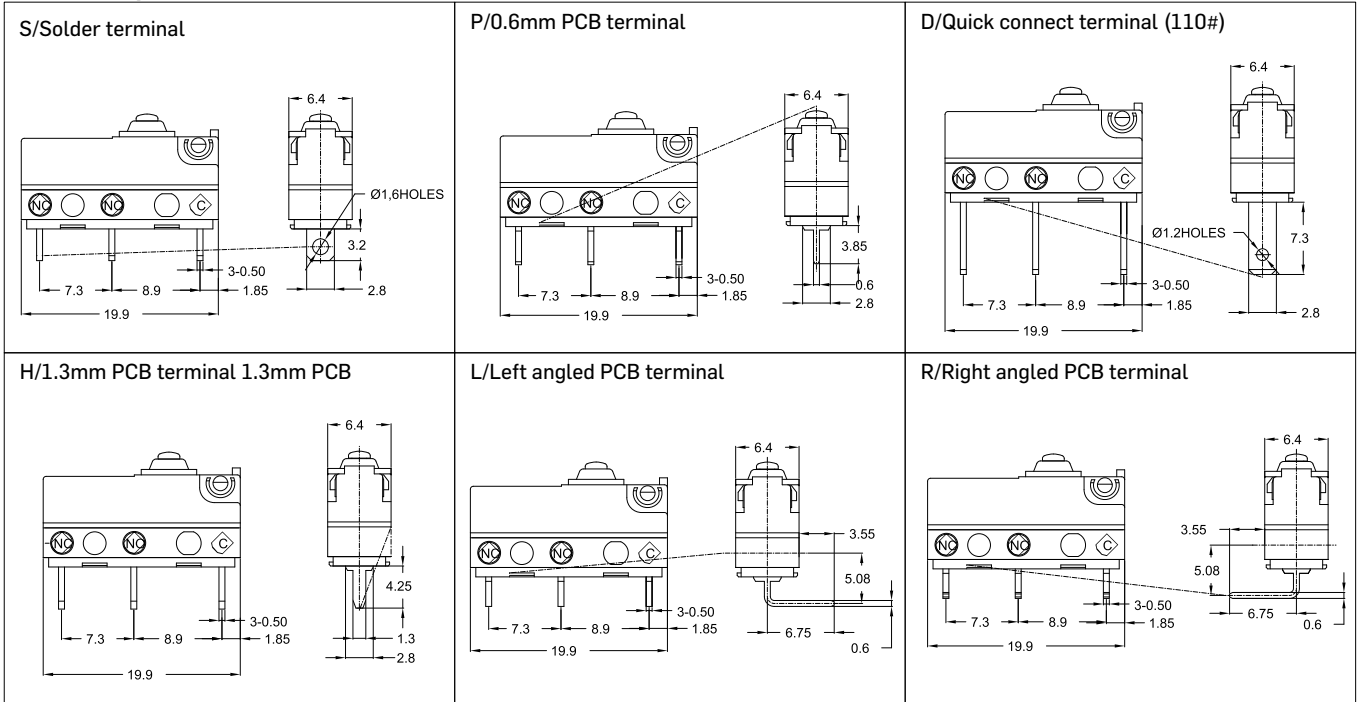
MT8

2

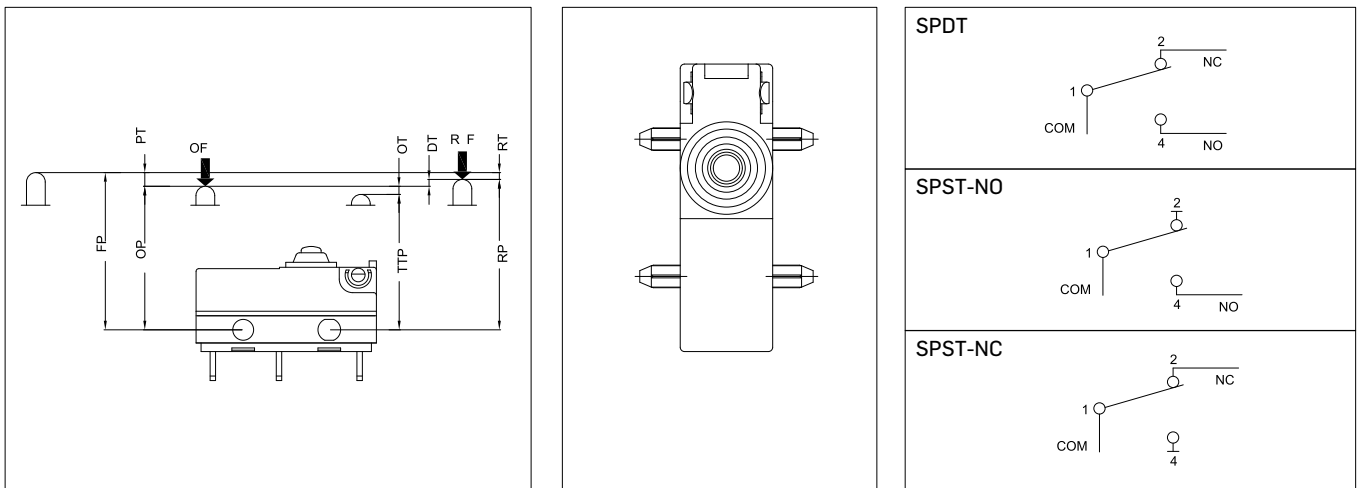
3

	Electrical Rating	Appearance Structure	AWG Number (for wire type only)	AWG Type (for wire type only)	Wires length	Special Designator
L1	UL/cUL/ENEC: 0.1A 125/250VAC 48VDC u 40T120 5E4	Mounting hole 2.30mm	No molded lead wires	No molded lead wires	500mm Length standard lead wires 500mm	General
06	UL/cUL/ENEC: 3A 125/250VAC 36VDC 5E4 6 (1.5) A 125/250VAC 36VDC 1E4 u 40T120	A Right side standard Posts: Φ1.80mmx2.8mm	A UL1007	A 20#	300 300mm length 300mm	G Gold Plated Contacts (Optional only for L1 rating)
10	UL/cUL/ENEC: 10(1.5) A 125/250VAC u 40T120 1E4	B Left side standard Posts: Φ1.80mmx2.8mm	B UL1430	B 22#	... Other	D Special use for high DC rating
		C Both sides standard posts: Φ1.80mmx2.8mm	C UL1061	C 24#		T Special code
		D Terminal spacing: Equal spacing	D UL1330	D 26#		
		... Other	E AVSS	E 28#		
			F UL1332	F 30#		
			G UL1015	G 32#		
			H UL3266	H 34#		

Terminal Options (mm) T=0.5mm



Contact Configuration



Lever Type

<p>00 (Pin plunger)</p>	<p>01 (Short straight lever)</p>
<p>02 (Std. straight lever)</p>	<p>03 (Long straight lever)</p>
<p>06 (Simulated roller lever)</p>	<p>07 (Simulated roller lever)</p>
<p>08 (Roller lever)</p>	<p>10 (Longest straight lever)</p>

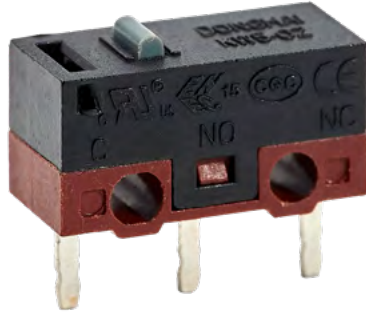
Terminal spacing

<p>Terminal spacing: unequal spacing</p>
<p>D (7.50mm) Terminal spacing equal spacing</p>

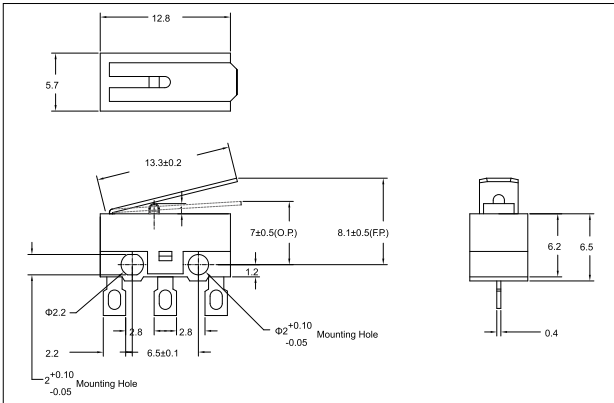
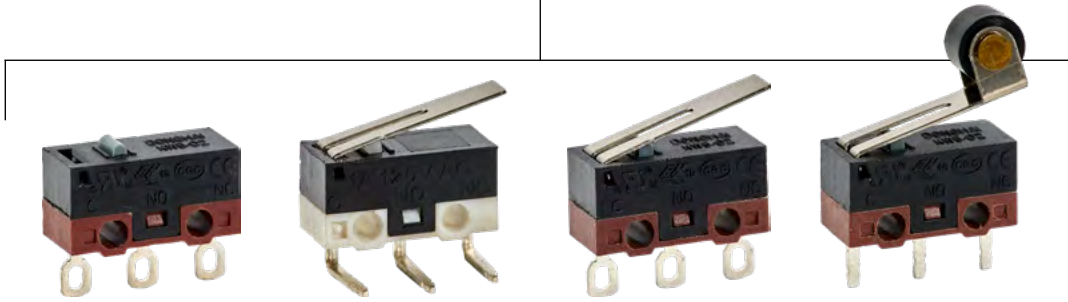
Mounting Type

<p>Mounting Hole Type</p>
<p>(Mounting Post Type) A</p>
<p>(Mounting Post Type) B</p>
<p>(Mounting Post Type) C</p>

	<p>PCB</p>
	<p>Ø1.8</p>



KW5-OZ-1111L



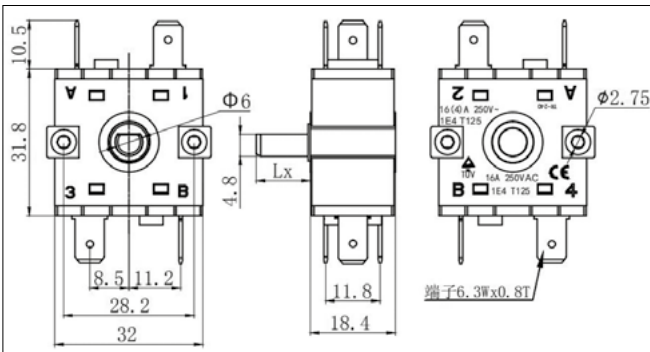
KW5-OZ

KW5-OZ		1	1	1	1	1	K		
Circuit code		Terminal Style		Operating Force at pin Plunger		Electrical Rating		Lever Type	
1	SPDT	1	Short PCB terminals	1	100± 40gf	1	3A 125/250VAC 40T85 1E4 3(0.5)A 125/250VAC 40T85 1E4 3A 30VDC 40T85 1E4	L	No lever
2	SPST- NO	2	Long PCB terminals	...	Other	2	1A 125/250VAC 40T85 1E4 0.5A 125/250VAC 40T85 1E4 1(0.5)A 125/250VAC 40T85 1E4 0.5(0.1)0.5(0.1)A 125/250VAC 40T85 1E4 1A 30VDC 40T85 1E4 0.5A 30VDC 40T85 1E4	L1	11.5mm straight lever
3	SPST- NC	3	Solder terminals	...	Other	...	Other	L2	13.3mm straight lever
		4	Left side PCB terminals					L3	Roller lever
		5	Right side PCB terminals					L4	R lever
		...	Special connect					L5	Bend lever
								...	Other

Rotary switches



TR-240-33-29



(Shaft length Type)

- L1= 11,4 mm.
- L2= 15 mm.
- L3= 18 mm.
- L4= 23 mm.
- L5= 26 mm.



250VAC 16(4)A T125/55 1E4



TR-240

TR-240

3

3

9

Series N°

Tap Position Qty.

Terminal Qty.

Function N

<p>TR-240-11-1</p> <p>rotary angle 0° 30°</p>	<p>TR-240-11-2</p> <p>rotary angle 0° 30°</p>	<p>TR-240-12-3</p> <p>rotary angle 0° 30°</p>	<p>TR-240-12-4</p> <p>rotary angle 0° 30°</p>	<p>TR-240-14-5</p> <p>rotary angle 0° 30°</p>	<p>TR-240-11-6</p> <p>rotary angle 0° 30°</p>
<p>TR-240-11-7</p> <p>rotary angle 0° 30°</p>	<p>TR-240-22-8</p> <p>rotary angle 0° 30° 60°</p>	<p>TR-240-24-9</p> <p>rotary angle 0° 30° 60°</p>	<p>TR-240-24-10</p> <p>rotary angle 0° 30° 60°</p>	<p>TR-240-24-11</p> <p>rotary angle 0° 30° 60°</p>	<p>TR-240-34-12</p> <p>rotary angle 0° 30° 60°</p>
<p>TR-240-24-13</p> <p>rotary angle 0° 30° 60°</p>	<p>TR-240-34-14</p> <p>rotary angle 0° 30° 60° 90°</p>	<p>TR-240-33-14B</p> <p>rotary angle 0° 30° 60° 90°</p>	<p>TR-240-34-15</p> <p>rotary angle 0° 30° 60° 90°</p>	<p>TR-240-34-16</p> <p>rotary angle 0° 30° 60° 90°</p>	<p>TR-240-44-17</p> <p>rotary angle 0° 30° 60° 90°</p>

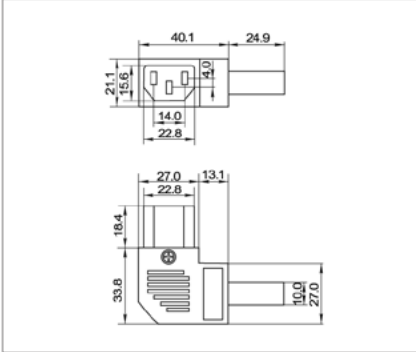
TR-240		3	3	9	
Series N°	Tap Position Qty.	Terminal Qty.	Terminal Qty.	Function N	
TR-240-34-18	TR-240-34-19	TR-240-34-20	TR-240-34-21	TR-240-12-27	TR-240-24-27A
TR-240-22-28	TR-240-33-29	TR-240-34-30	TR-240-32-30B	TR-240-22-31	TR-240-22-32
TR-240-32-39	TR-240-22-40	TR-240-33-41	TR-240-33-43	TR-240-33-44	TR-240-33-50
TR-240-34-51	TR-240-34-52	TR-240-32-52B	TR-240-32-53	TR-240-11-54	TR-240-33-55
TR-240-33-56	TR-240-32-57	TR-240-11-58	TR-240-33-59	TR-240-33-60	TR-240-24-61
TR-240-22-62	TR-240-33-65	TR-240-33-67	TR-240-22-68	TR-240-34-69	TR-240-24-70
TR-240-22-70A	TR-240-34-71	TR-240-33-71A	TR-240-33-71B	TR-240-32-72	TR-240-11-73
TR-240-32-74	TR-240-34-75	TR-240-34-77	TR-240-33-77A	TR-240-33-79	TR-240-34-81

TR-240		3		3		9	
Series N°		Tap Position Qty.		Terminal Qty.		Function N	
<p>TR-240-44-36</p> <p>rotary angle 0° 60° 120° 180°</p>		<p>TR-240-44-22</p> <p>rotary angle 0° 30° 60° 90° 120°</p>		<p>TR-240-44-23</p> <p>rotary angle 0° 30° 60° 90° 120°</p>		<p>TR-240-44-24</p> <p>rotary angle 0° 30° 60° 90° 120°</p>	
<p>TR-240-44-25</p> <p>rotary angle 0° 30° 60° 90° 120°</p>		<p>TR-240-44-26</p> <p>rotary angle 0° 30° 60° 90° 120°</p>		<p>TR-240-43-33</p> <p>rotary angle 0° 30° 60° 90° 120°</p>		<p>TR-240-43-37</p> <p>rotary angle 0° 30° 60° 90° 120°</p>	
<p>TR-240-43-45</p> <p>rotary angle 0° 30° 60° 90° 120°</p>		<p>TR-240-44-47</p> <p>rotary angle 0° 30° 60° 90° 120°</p>		<p>TR-240-43-48</p> <p>rotary angle 0° 30° 60° 90° 120°</p>		<p>TR-240-44-49</p> <p>rotary angle 0° 30° 60° 90° 120°</p>	
<p>TR-240-44-63</p> <p>rotary angle 0° 30° 60° 90° 120°</p>		<p>TR-240-43-64</p> <p>rotary angle 0° 30° 60° 90° 120°</p>		<p>TR-240-42-46</p> <p>rotary angle 0° 60° 120° 180° 240° 300°</p>		<p>TR-240-44-46A</p> <p>rotary angle 0° 60° 120° 180° 240° 300°</p>	
<p>TR-240-43-46B</p> <p>rotary angle 0° 60° 120° 180° 240° 300°</p>		<p>TR-240-44-78</p> <p>rotary angle 0° 60° 120° 180° 240° 300°</p>		<p>TR-240-44-82-360°</p> <p>rotary angle 0° 60° 120° 180° 240° 300°</p>		<p>TR-240-43-82A-360°</p> <p>rotary angle 0° 60° 120° 180° 240° 300°</p>	
<p>TR-240-42-35-360°</p> <p>rotary angle 0° 60° 120° 180° 240° 300°</p>		<p>TR-240-54-76</p> <p>rotary angle 150° 210° 270° 330° 30° 90°</p>					
<p>TR-240-64-83-360°</p> <p>rotary angle 0° 45° 90° 135° 180° 225° 270° 315°</p>		<p>TR-240-63-83A-360°</p> <p>rotary angle 0° 45° 90° 135° 180° 225° 270° 315°</p>		<p>TR-240-64-34-360°</p> <p>rotary angle 0° 45° 90° 135° 180° 225° 270° 315°</p>			
<p>TR-240-63-38-360°</p> <p>rotary angle 0° 45° 90° 135° 180° 225° 270° 315°</p>		<p>TR-240-63-66-360°</p> <p>rotary angle 0° 45° 90° 135° 180° 225° 270° 315°</p>		<p>TR-240-84-80</p> <p>rotary angle 0° 30° 60° 90° 120° 150° 180° 210° 240°</p>			

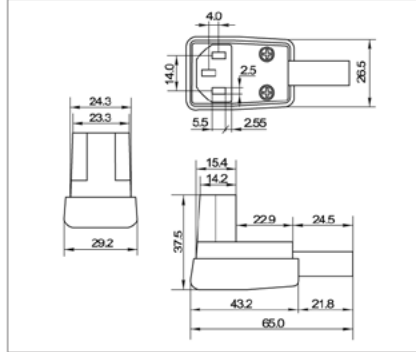
Power sockets



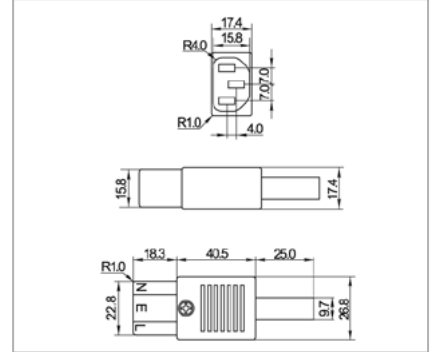
RL-2231-2



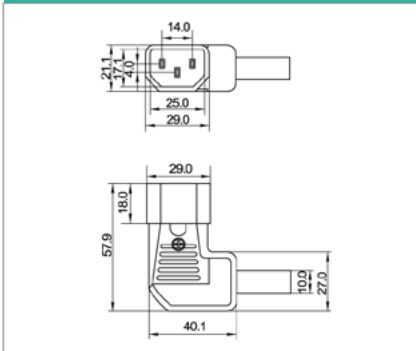
RL-2231-A



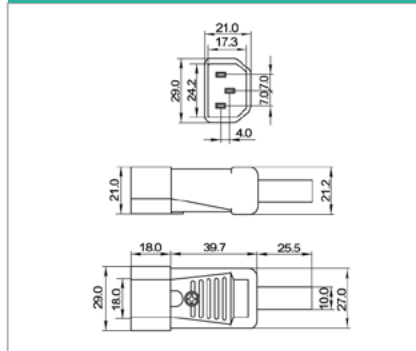
RL-2231



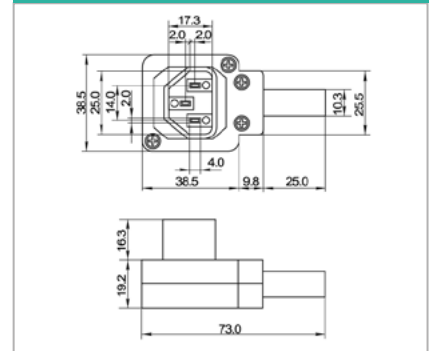
RL-2233-2



RL-2233



RL-2233-A





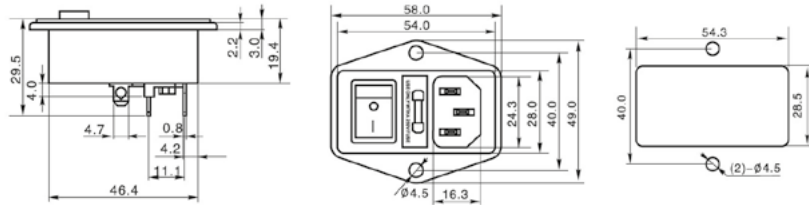
IEC FUSED INLET COMBINATION OF SWITCH

SPECIFICATION:

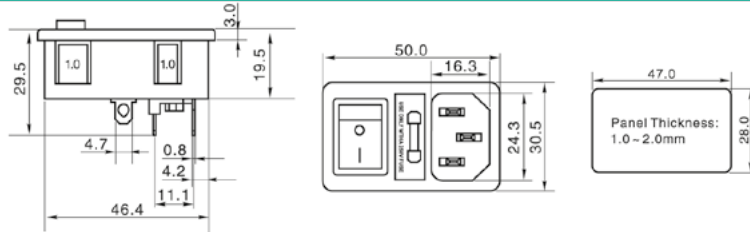
1. Rating: 10A 250VAC
2. Insulation resistance: DC 500V 100M Ω (min)
3. Dielectric strenght: 2000 VAC/1 minute
4. Housing material: nylon # 66 UL 94V-2 or 94V-0
5. Safety approval:



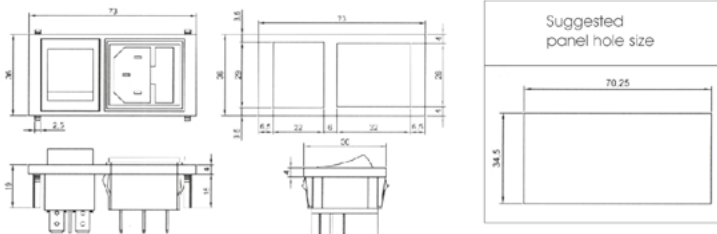
RL-10-1FS



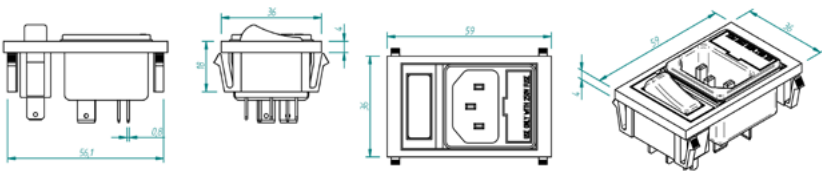
RL-10-1F



RLN-10F



RLN-10F-2



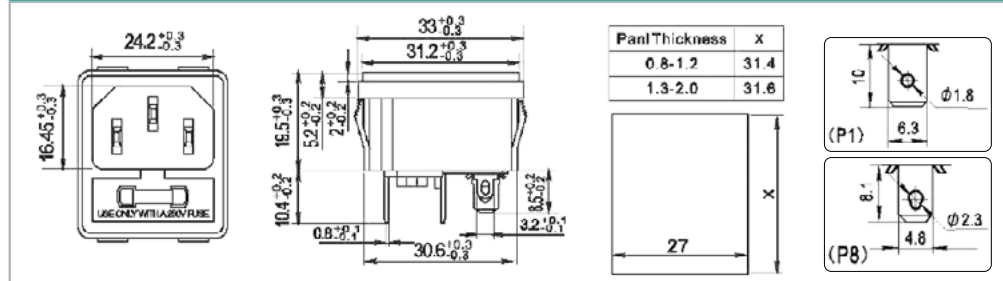
RL-10-1F	0	1	P8
Function	Fuse	Combination of Switch	Terminals
FS	0 W/O Fuse	0 W/O Switch	
⋮	1 1 Fuse	1 S.P. Switch	
1.0 1.0 mm.		2 D.P. Switch	
F() 1.5 1.5 mm.		3 D.P. Red Neon S.W.	
2.0 2.0 mm.		4 D.P. Green Neon S.W.	
		5 S.P. Red Neon S.W.	

SPECIFICATION:

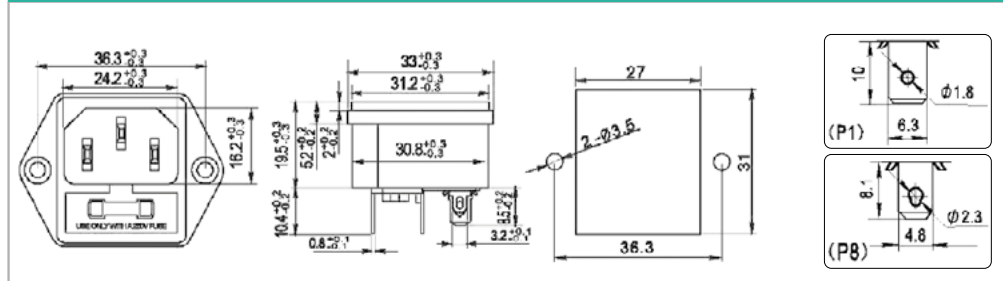
1. Rating: 10A 250VAC
2. Insulation resistance: DC 500V 100M Ω (min)
3. Dielectric strenght: 2000 VAC/1 minute
4. Housing material: nylon # 66 UL 94V-2 or 94V-0
5. Safety approval:



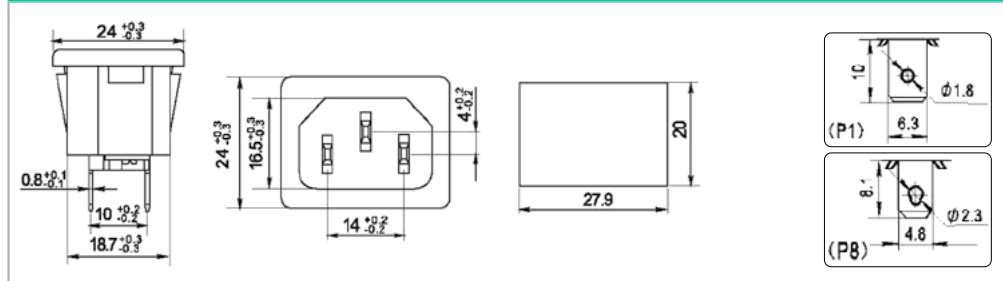
RL10-1F2



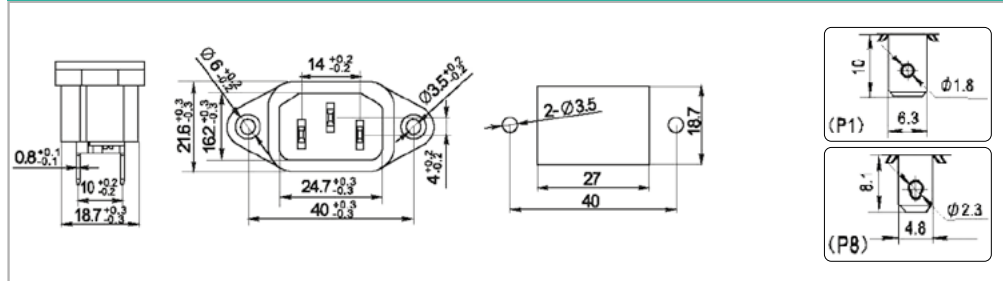
RL10-1FS2



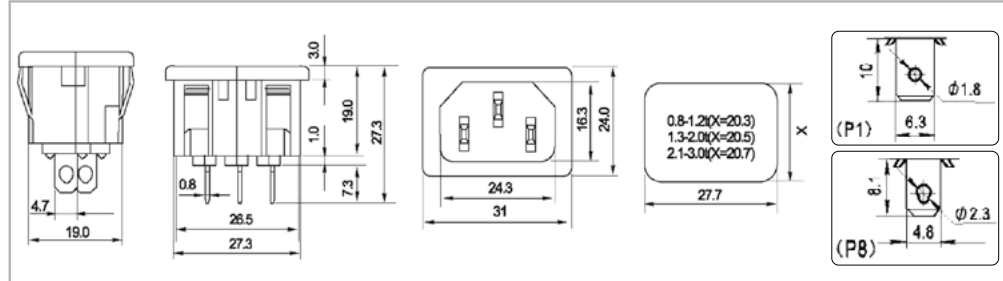
RL10-1



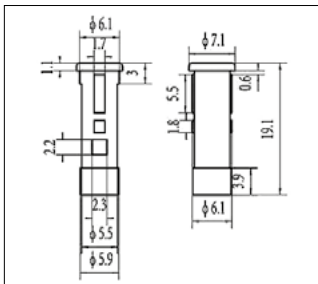
RL10-1S



RL10-1G

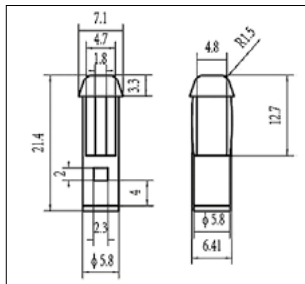


Indicator lamps

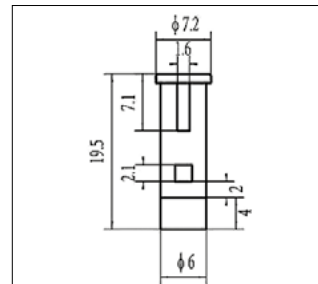


Ø6 mm.

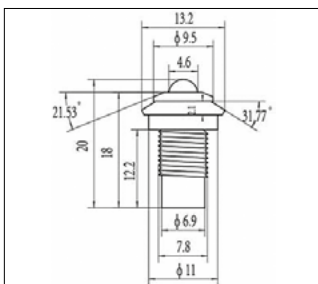
NFT-A-10



NFT-A-10-1

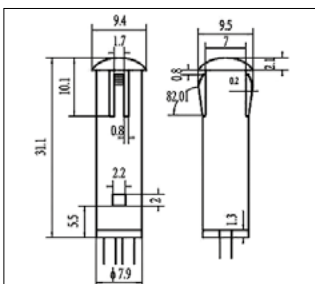


NFT-A-10-2

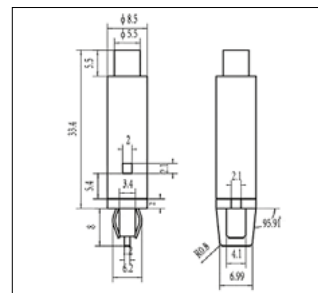


Ø8 mm.

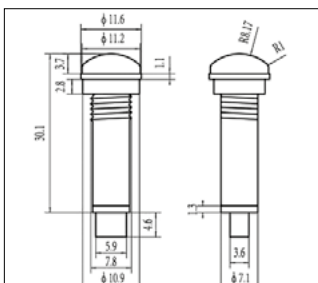
NFT-A-11



NFT-A-12

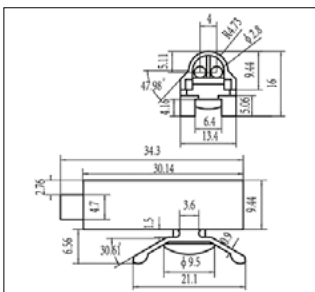


NFT-A-13



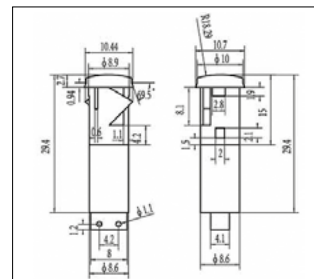
Ø8 mm.

NFT-A-32



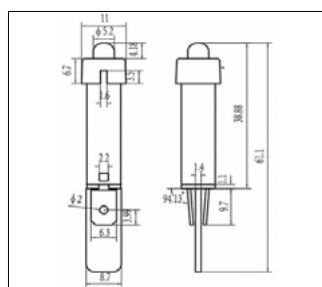
NFT-A-33

Cap colour / Housing		Conection type		Cables lenght		Cables section		Cable type		Voltage	
WT	White	WR	Wires	50	50 mm.	1	0,50 mm ²	P	PVC	1	110 VAC
RE	Red	P1	Teminals 6,3 mm	75	75 mm.	2	0,75 mm ²	S	Silicone	2	220 VAC
OR	Orange			100	100 mm.	3	1,00 mm ²			3	12 VDC
GR	Green			125	125 mm.	X	Custom			4	24 VDC
BL	Blue			X	Custom						

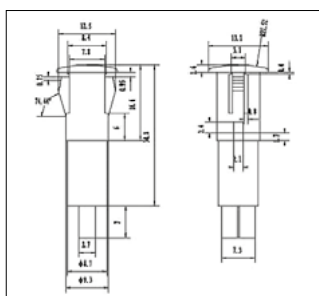


NFT-A-34

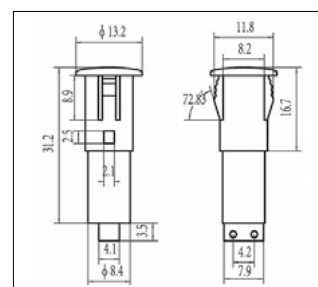
Ø9 mm.



NFT-A-15

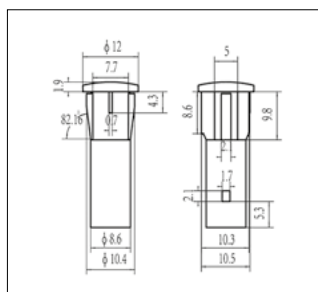


NFT-A-16

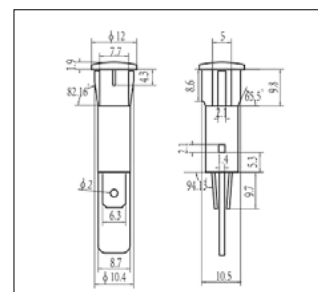


NFT-A-16-1

Ø10 mm.



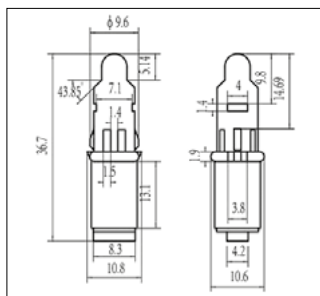
NFT-A-17



NFT-A-17-1

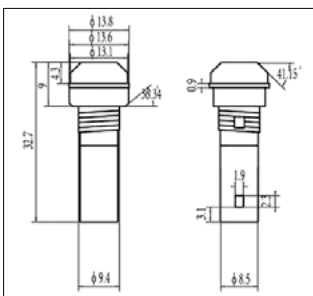
Ø10 mm.

Cap colour / Housing		Conection type		Cables lenght		Cables section		Cable type		Voltage	
WT	White	WR	Wires	50	50 mm.	1	0,50 mm ²	P	PVC	1	110 VAC
RE	Red		P1	Teminals 6,3 mm	75	75 mm.	2	0,75 mm ²	S	Silicone	2
OR	Orange	100		100 mm.	3	1,00 mm ²			3	12 VDC	
GR	Green	125		125 mm.	X	Custom			4	24 VDC	
BL	Blue	X		Custom							

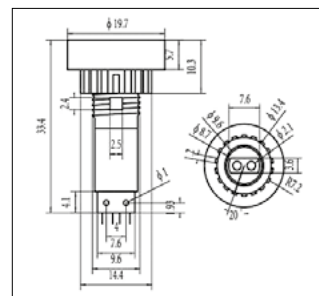


Ø10 mm.

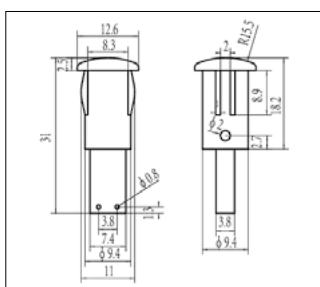
NFT-A-18-1



NFT-A-19

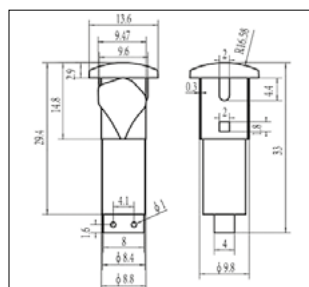


NFT-A-19-1

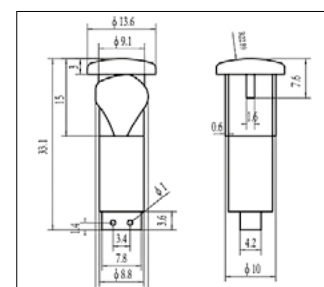


Ø10 mm.

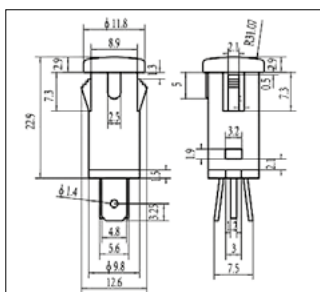
NFT-A-20



NFT-A-21

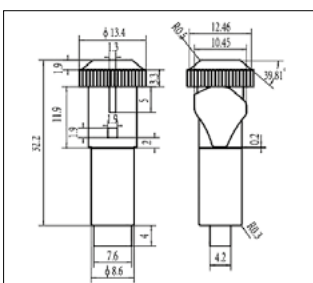


NFT-A-21-1



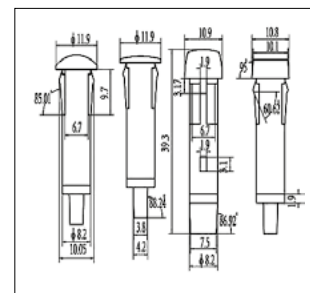
Ø10 mm.

NFT-A-23-1



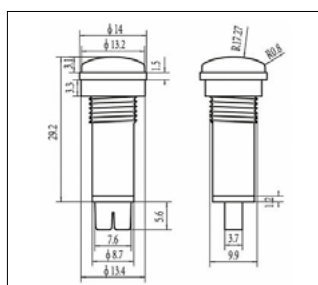
NFT-A-24

Cap colour / Housing		Conection type		Cables lenght		Cables section		Cable type		Voltage	
WT	White	WR	Wires	50	50 mm.	1	0,50 mm ²	P	PVC	1	110 VAC
RE	Red	P1	Teminals 6,3 mm	75	75 mm.	2	0,75 mm ²	S	Silicone	2	220 VAC
OR	Orange			100	100 mm.	3	1,00 mm ²			3	12 VDC
GR	Green			125	125 mm.	X	Custom			4	24 VDC
BL	Blue			X	Custom						

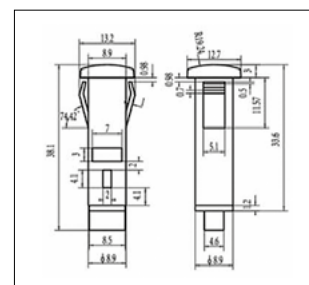


NFT-A-25

Ø10 mm.

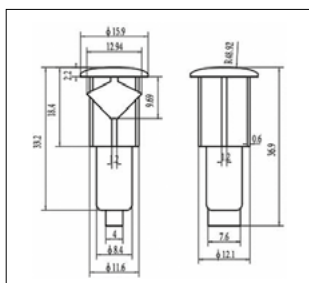


NFT-A-32-1

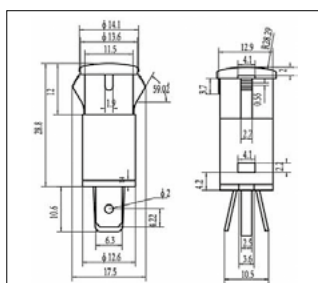


NFT-A-35

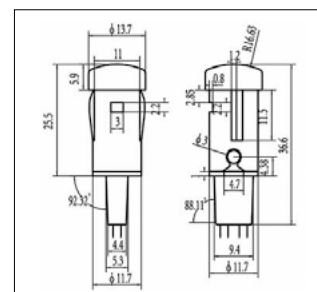
Ø10 mm.



NFT-A-21-2



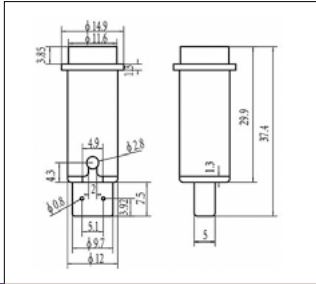
NFT-A-23



NFT-A-27

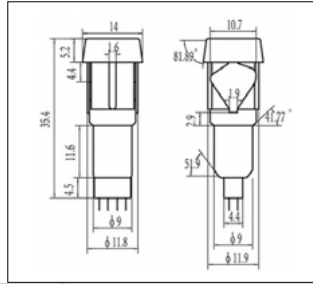
Ø12 mm.

Cap colour / Housing		Conection type		Cables lenght		Cables section		Cable type		Voltage	
WT	White	WR	Wires	50	50 mm.	1	0,50 mm ²	P	PVC	1	110 VAC
RE	Red	P1	Teminals 6,3 mm	75	75 mm.	2	0,75 mm ²	S	Silicone	2	220 VAC
OR	Orange			100	100 mm.	3	1,00 mm ²			3	12 VDC
GR	Green			125	125 mm.	X	Custom			4	24 VDC
BL	Blue			X	Custom						

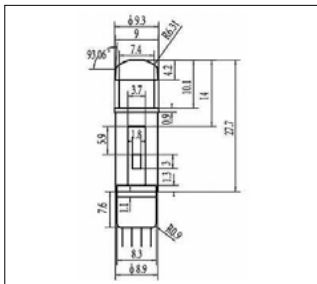


Ø12 mm.

NFT-A-29

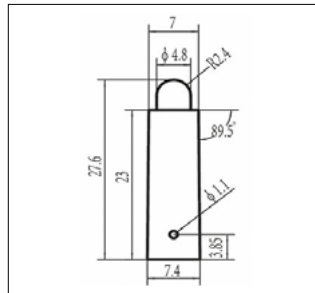


NFT-A-28

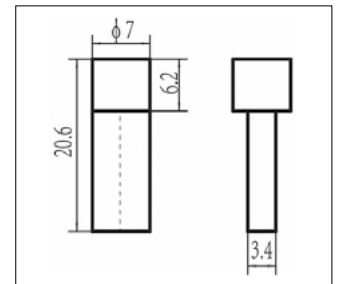


Signal Units

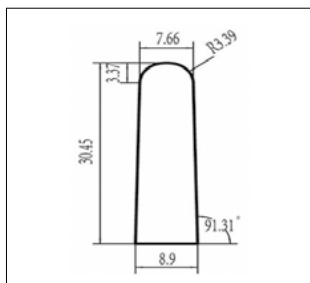
NFT-A-01



NFT-A-03

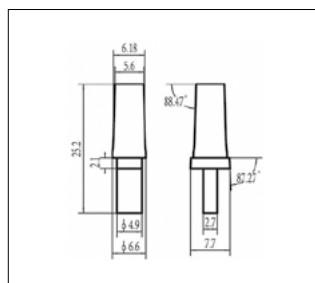


NFT-A-04

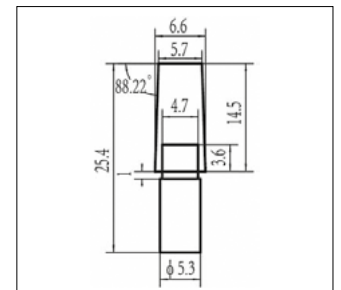


Signal Units

NFT-A-05

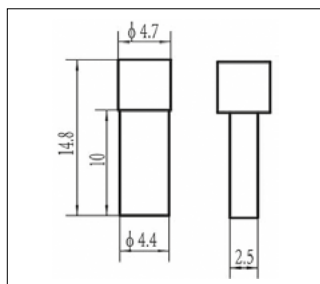


NFT-A-06

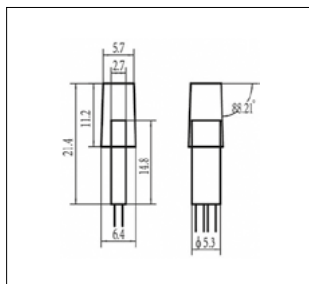


NFT-A-06-1

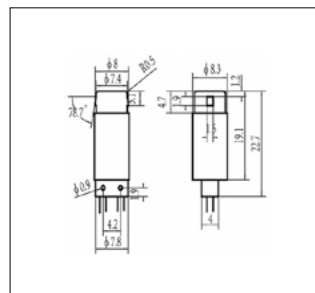
Cap colour / Housing		Conection type		Cables lenght		Cables section		Cable type		Voltage	
WT	White	WR	Wires	50	50 mm.	1	0,50 mm ²	P	PVC	1	110 VAC
RE	Red	P1	Teminals 6,3 mm	75	75 mm.	2	0,75 mm ²	S	Silicone	2	220 VAC
OR	Orange			100	100 mm.	3	1,00 mm ²			3	12 VDC
GR	Green			125	125 mm.	X	Custom			4	24 VDC
BL	Blue			X	Custom						



NFT-A-06-2

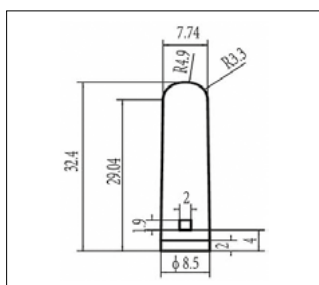


NFT-A-06-4

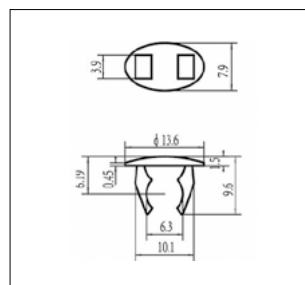


NFT-A-07

Signal Units



NFT-A-08



NFT-A-09

Signal Units

Cap colour / Housing		Conection type		Cables lenght		Cables section		Cable type		Voltage	
WT	White	WR	Wires	50	50 mm.	1	0,50 mm ²	P	PVC	1	110 VAC
RE	Red		P1	Teminals 6,3 mm	75	75 mm.	2	0,75 mm ²	S	Silicone	2
OR	Orange			100	100 mm.	3	1,00 mm ²			3	12 VDC
GR	Green			125	125 mm.	X	Custom			4	24 VDC
BL	Blue			X	Custom						



m2b technologies S.L.

Ignasi Barraquer 22. Polígon Industrial La Serra
08460 Sta. Maria de Palautordera. Barcelona - Spain
Tel: +34 93 867 51 93 Fax: +34 93 867 56 02

www.m2bswitches.com

info@m2bswitches.com